

# CATALOGUE INSERT AVRIL 2013



**RIVIT S.R.L.**  
via Marconi 20  
40064 Ozzano dell'Emilia (Bo)  
Italy  
Cod. Fisc : 02175850375  
P.iva: 00556841203  
[www.rivit.it](http://www.rivit.it)



**GIRAUD & RAY**  
Parc Wilson – 31 Rue Wilson-  
69150 Décines  
France  
Tél. : 04 78 49 87 30 Fax : 04 78 49 87 65  
[contact@giraud-ray.com](mailto:contact@giraud-ray.com)  
[www.giraud-ray.com](http://www.giraud-ray.com)

# INDEX

## INSERTS STANDARDS "RIVSERT"

		Lisse	Cranté
Fût Cylindrique	Acier	TP Ouvert	page 3 page 19
		Borgne	page 4 page 20
		TF Ouvert	page 5 page 21
		Borgne	page 6 page 22
		T Autoaff. Ouvert	page 7 page 23
		Ouvert cotes américaines	page 8
	Borgne	page 24	
	Inox A2	TP Ouvert	page 9 page 25
		Borgne	page 26
		TF Ouvert	page 27
		T Autoaff. Ouvert	page 10 page 28
		Ouvert cotes américaines	page 11
		Borgne	page 29
	Inox A4	TP Ouvert	page 12
		T Autoaff. Ouvert	page 13
	Aluminium	TP Ouvert	page 14
		Borgne	page 15
		TF Ouvert	page 16
T Autoaff. Ouvert		page 17	
Bronze	TP Ouvert	page 18	
Fût Hexag.	Acier	TP Ouvert	page 30
		Borgne	page 31
	T Autoaff.	Ouvert	page 32
		Borgne	page 33
Fût Demi-hexagonal	Acier	TP Ouvert	page 34
		T Autoaff. Ouvert	page 35
		Ouvert cotes américaines	page 36
	Inox A2	TP Ouvert	page 37
		Borgne	page 39
		T Autoaff. Ouvert	page 38
	Inox A4	Borgne	page 40
		TP Ouvert	page 41
T Autoaff. Ouvert	page 42		

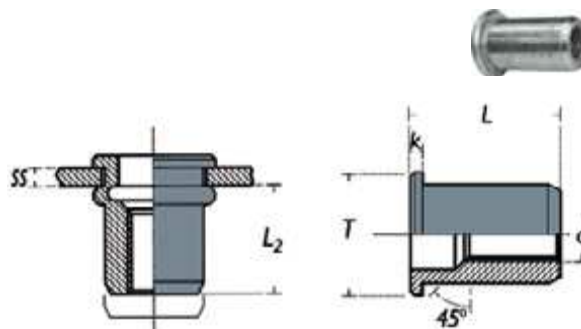
## INSERTS SPECIAUX


JACKRIV	Acier	TP	Page 43
	Inox A4	TP	Page 44
TUBRIV	Acier	Ouvert	Page 45
RIVBOLT	Acier	TP Borgne	Page 46
PRENSERT	Néoprène	TP	Page 47

## RIVSERT

Acier  
Fût Cylindrique Lisse Ouvert  
Tête Plate

FTC  
34000



d		T	k	Plage de serrage	L	L <sub>2</sub>	référence	Code	Boitage
mm	mm	mm	max	mm	mm	min ÷ max			
M3	5.0	7.0	0.8	0.5 ÷ 1.5	9.0	4.2 ÷ 4.6	FTC0302005	0299400	1000
				1.5 ÷ 2.5	10.5	FTC0303005	1758100	1000	
M4	6.0	9.0	1.0	0.5 ÷ 2.0	11.0	5.5 ÷ 6.0	FTC0402006	0299900	500
				2.0 ÷ 3.5	13.0	FTC0403506	0300200	500	
M5	7.0	10.0	1.2	0.5 ÷ 2.5	13.0	7.2 ÷ 7.7	FTC0502507	0300500	500
				2.5 ÷ 5.0	15.5	FTC0505007	0300700	500	
				4.0 ÷ 6.0	17.0	FTC0506007	4323300	500	
M6	9.0	12.0	1.5	0.5 ÷ 3.0	16.0	7.6 ÷ 8.2	FTC0603009	0300900	500
				3.0 ÷ 5.5	17.5	FTC0605509	0301100	250	
M8	11.0	15.0	1.5	0.5 ÷ 3.5	17.5	9.5 ÷ 10.1	FTC0803511	2270000	250
				3.5 ÷ 6.0	20.0	FTC0806011	2270100	200	
M10	12.0	16.0	1.7	1.0 ÷ 3.5	19.0	10.7 ÷ 11.5	FTC1003512	0072100	250
				3.5 ÷ 6.0	22.0	FTC1006012	2645400	200	
M10	13.0	17.0	1.7	1.0 ÷ 3.5	21.0	12.5 ÷ 13.5	FTC1003513	0308000	250
				3.5 ÷ 6.0	24.0	FTC1006012	0302300	200	
M12	15.0	18.0	2.0	1.0 ÷ 4.0	22.0	13.3 ÷ 14.5	FTC1204015	1608800	100
				4.0 ÷ 6.5	25.0	FTC1206515	1608900	100	
M12	16.0	22.0	2.0	1.0 ÷ 4.0	27.0	18.2 ÷ 19.0	FTC1204016	0302800	100
				4.0 ÷ 6.5	30.0	FTC1206516	1529500	100	
M16	21.0	26.0	2.5	3.0 ÷ 7.0	37.0	21.0 ÷ 21.5	FTC1607021	4155500	50

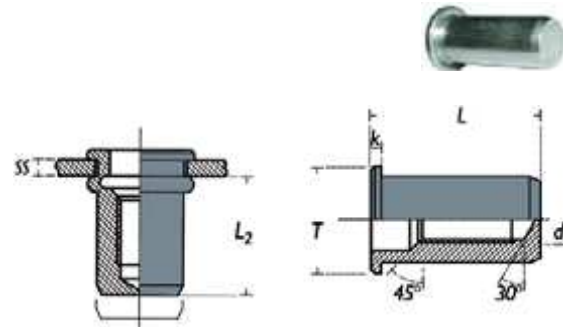


d	Kg	N	kgm	Nm
mm				
M3	430	4300	0.1	1
M4	740	7300	0.4	4
M5	1160	11450	0.7	7
M6	1720	16900	1.5	15
M8	2460	24200	2.6	26
M10 D12	2920	28650	4.5	45
M10 D13	3160	31000	4.5	45
M12 D15	3640	35700	7.0	70
M12 D16	4840	47500	7.6	76
M16	7650	75000	18.0	180

# RIVSERT

Acier  
Fût cylindrique lisse borgné  
Tête plate

SFTC  
34001



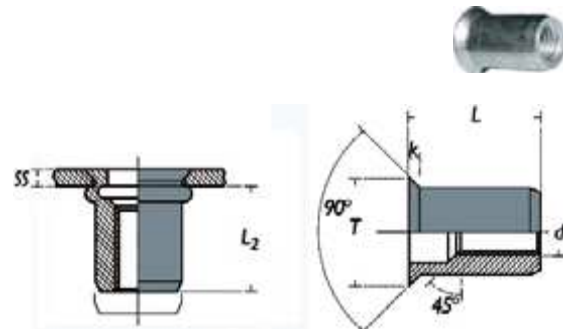
d		T	k	Plage de serrage	L	L <sub>2</sub>	référence	Code	Boitage
mm	mm	mm	max	mm	mm	min ÷ max			
M3	5.0	7.0	0.8	0.5 ÷ 2.0	14.5	9.8 ÷ 10.3	SFTC0302005	1071300	500
M4	6.0	9.0	1.0	0.5 ÷ 2.0 2.0 ÷ 4.0	16.5 18.0	11.3 ÷ 12.0	SFTC0402006 SFTC0404006	0308400 0308500	500 500
M5	7.0	10.0	1.2	0.5 ÷ 3.0 3.0 ÷ 5.0	18.0 20.5	12.3 ÷ 13.0	SFTC0503007 SFTC0505007	0308700 0308800	500 500
M6	9.0	12.0	1.5	0.5 ÷ 3.0 4.0 ÷ 6.0	22.0 23.5	14.0 ÷ 14.5	SFTC0603009 SFTC0606009	0309000 1771100	500 500
M8	11.0	15.0	1.5	0.5 ÷ 3.0 3.0 ÷ 5.5	25.5 28.0	17.5 ÷ 18.2	SFTC0803011 SFTC0805511	0309100 0309200	250 250
M10	13.0	17.0	1.6	1.0 ÷ 4.0 3.5 ÷ 6.0	27.0 31.5	21.0 ÷ 22.0	SFTC1004013 SFTC1006013	0309500 0309600	200 200


d	Kg	N	kgm	Nm
mm				
M3	430	4300	0.1	1
M4	740	7300	0.4	4
M5	1160	11450	0.7	7
M6	1720	16900	1.5	15
M8	2460	24200	2.6	26
M10	3160	31000	4.5	45

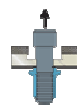
# RIVSERT

Acier  
Fût cylindrique lisse ouvert  
Tête fraisée

FSC  
34010



d		T	k	Plage de serrage	L	L <sub>2</sub>	référence	Code	Boitage
mm	mm	mm	max	mm	mm	min ÷ max			
<b>M3</b>	5.0	8.0	1.5	1.5 ÷ 3.0	9.5	4.5 ÷ 5.5	FSC0303005	<b>0303100</b>	<b>1000</b>
				3.0 ÷ 4.0	10.5	FSC0304005	<b>0303300</b>	<b>1000</b>	
<b>M4</b>	6.0	9.0	1.5	1.5 ÷ 3.5	12.0	6.0 ÷ 6.5	FSC0403506	<b>0303500</b>	<b>500</b>
				3.5 ÷ 5.0	13.0	FSC0405006	<b>0303600</b>	<b>500</b>	
<b>M5</b>	7.0	10.0	1.5	1.5 ÷ 3.5	13.0	6.5 ÷ 7.5	FSC0503507	<b>0304000</b>	<b>500</b>
				4.0 ÷ 6.0	16.0	FSC0506007	<b>0304100</b>	<b>500</b>	
<b>M6</b>	9.0	12.0	1.5	1.5 ÷ 4.0	15.5	8.5 ÷ 9.5	FSC0604009	<b>0304400</b>	<b>500</b>
				4.0 ÷ 6.0	17.0	FSC0606009	<b>0304600</b>	<b>500</b>	
<b>M8</b>	11.0	14.0	1.5	2.0 ÷ 4.5	16.5	9.5 ÷ 11	FSC0804511	<b>0304900</b>	<b>250</b>
				4.0 ÷ 6.0	19.0	FSC0806011	<b>0305100</b>	<b>250</b>	
				6.0 ÷ 9.0	24.0	FSC0809011	<b>0305200</b>	<b>200</b>	
<b>M10</b>	12.0	15.0	1.5	2.0 ÷ 5.0	18.0	11.0 ÷ 13.0	FSC1005012	<b>3567900</b>	<b>250</b>
<b>M10</b>	13.0	15.5	1.5	2.0 ÷ 5.0	22.0	11.0 ÷ 13.0	FSC1005013	<b>0305400</b>	<b>250</b>
				4.0 ÷ 6.0	25.0	FSC1006013	<b>0305600</b>	<b>200</b>	
				6.0 ÷ 9.0	28.0	FSC1009013	<b>0305700</b>	<b>100</b>	
<b>M12</b>	16.0	19.0	1.8	1.5 ÷ 4.5	26.0	16.5 ÷ 17.5	FSC1204516	<b>1556700</b>	<b>100</b>
				4.0 ÷ 7.5	29.0	FSC1207516	<b>1610100</b>	<b>100</b>	
				7.0 ÷ 10.5	32.0	FSC1210516	<b>1610200</b>	<b>100</b>	

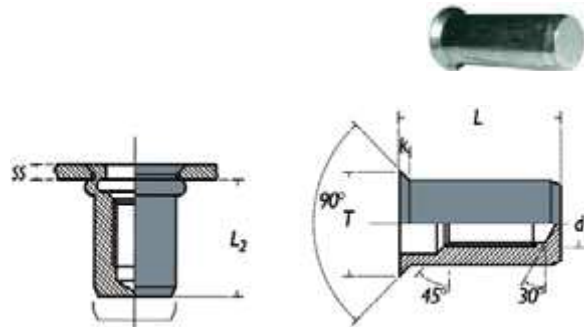


d	Kg	N	kgm	Nm
mm				
<b>M3</b>	430	4300	0.1	1
<b>M4</b>	740	7300	0.4	4
<b>M5</b>	1160	11450	0.7	7
<b>M6</b>	1720	16900	1.5	15
<b>M8</b>	2460	24200	2.6	26
<b>M10 D12</b>	2920	28650	4.5	45
<b>M10 D13</b>	3160	31000	4.5	45
<b>M12</b>	3640	35700	7.0	70

# RIVSERT

Acier  
Fût cylindrique lisse borgné  
Tête fraisée

SFSC  
34011



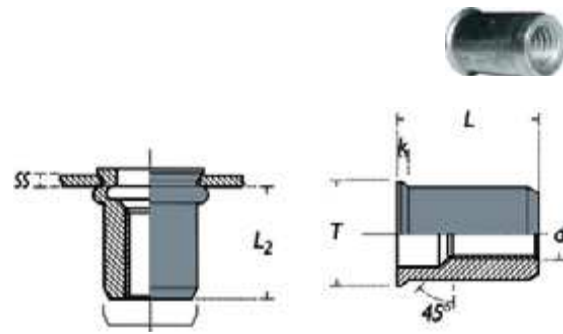
d		T	k	Plage de serrage	L	L <sub>2</sub>	référence	Code	Boitage
mm	mm	mm	max	mm	mm	min ÷ max			
<b>M4</b>		9.0	1.5	1.5 ÷ 3.0	15.0	9.0 ÷ 10.0	SFSC0403006	0309800	250
				3.0 ÷ 5.0	17.0		SFSC0405006	1071200	250
<b>M5</b>		10.0	1.5	1.5 ÷ 4.0	20.0	13.0 ÷ 14.0	SFSC0504007	1712600	250
<b>M6</b>		12.0	1.5	1.5 ÷ 4.0	23.0	16.0 ÷ 17.0	SFSC0604009	0309900	500
				4.0 ÷ 6.0	26.0		SFSC0606009	0418800	500
<b>M8</b>		14.0	1.5	1.5 ÷ 4.0	26.0	18.0 ÷ 19.0	SFSC0804011	0310000	250
				4.0 ÷ 6.0	29.0		SFSC0806011	0310200	250
<b>M10</b>		15.0	1.5	1.5 ÷ 5.0	32.0	24.0 ÷ 25.0	SFSC1005013	0310300	100


d				
	Kg	N	kgm	Nm
<b>M4</b>	740	7300	0.4	4
<b>M5</b>	1160	11450	0.7	7
<b>M6</b>	1720	16900	1.5	15
<b>M8</b>	2460	24200	2.6	26
<b>M10</b>	3160	31000	4.5	45

## RIVSERT

Acier  
Fût cylindrique lisse ouvert  
Tête autoaffleurante

FRC  
34020



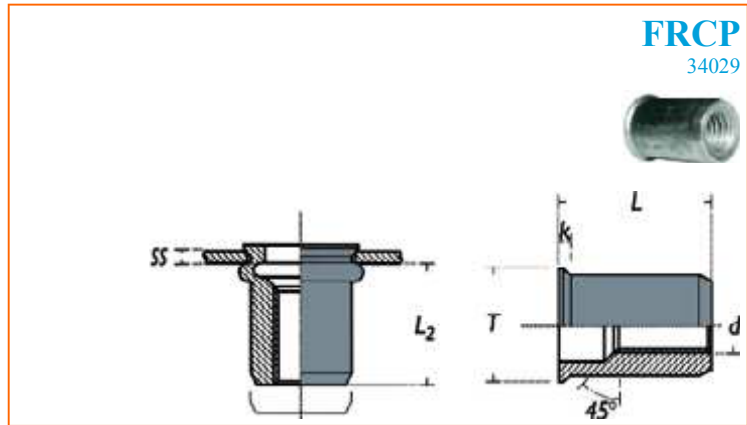
d		T	k	Plage de serrage	L	L <sub>2</sub>	référence	Code	Boitage
mm	mm	mm	max	mm	mm	min ÷ max			
<b>M3</b>	5.0	5.5	0.5	0.5 ÷ 2.0	8.5	5.5 ÷ 6.5	FRC0302005	<b>0306100</b>	<b>1000</b>
				2.0 ÷ 3.5	9.5	FRC0303505	<b>0306200</b>	<b>1000</b>	
<b>M4</b>	6.0	7.0	0.5	0.5 ÷ 2.0	10.0	6.5 ÷ 7.0	FRC0402006	<b>0306500</b>	<b>1000</b>
				2.0 ÷ 4.0	11.0	FRC0404060	<b>0306700</b>	<b>1000</b>	
<b>M5</b>	7.0	8.0	0.5	0.5 ÷ 2.0	12.0	7.5 ÷ 8.0	FRC0502007	<b>0306800</b>	<b>1000</b>
				2.0 ÷ 4.0	13.5	FRC0504007	<b>0307100</b>	<b>1000</b>	
<b>M6</b>	9.0	10.0	0.6	0.5 ÷ 2.5	13.5	8.5 ÷ 9.5	FRC0602509	<b>0307200</b>	<b>500</b>
				2.5 ÷ 5.0	15.0	FRC0605009	<b>0307500</b>	<b>500</b>	
<b>M8</b>	11.0	12.0	0.6	1.0 ÷ 3.0	16.5	10.0 ÷ 11.5	FRC0803011	<b>0307600</b>	<b>250</b>
				3.0 ÷ 5.0	18.0	FRC0805011	<b>0307900</b>	<b>250</b>	
<b>M10</b>	12.0	13.5	0.7	1.0 ÷ 3.0	18.0	12.0 ÷ 13.0	FRC1003012	<b>3245200</b>	<b>250</b>
				3.0 ÷ 5.5	19.5	FRC1005512	<b>0308100</b>	<b>250</b>	
<b>M10</b>	13.0	14.0	0.7	1.0 ÷ 3.0	21.0	12.0 ÷ 13.0	FRC1003013	<b>0071900</b>	<b>250</b>
				3.0 ÷ 5.5	22.5	FRC1005513	<b>0071800</b>	<b>200</b>	
<b>M12</b>	15.0	17.0	0.7	1.0 ÷ 3.5	23.0	13.5 ÷ 14.5	FRC1203515	<b>0308200</b>	<b>100</b>
				3.0 ÷ 6.5	24.0	FRC1206515	<b>1609600</b>	<b>100</b>	





d	Kg	N	kgm	Nm
mm				
<b>M3</b>	430	4300	0.1	1
<b>M4</b>	740	7300	0.4	4
<b>M5</b>	1160	11450	0.7	7
<b>M6</b>	1720	16900	1.5	15
<b>M8</b>	2460	24200	2.6	26
<b>M10 D12</b>	2920	28650	4.5	45
<b>M10 D13</b>	3160	31000	4.5	45
<b>M12</b>	3640	35700	7.0	70

**RIVSERT**  
cotes américaines

Acier  
Fût Cylindrique Lisse Ouvert  
Tête autoaffleurante



d		T	k	Plage de serrage	L	L <sub>2</sub>	référence	Code	Boitage
mm	mm	mm	max	mm	mm	min ÷ max			
M3	4.8	5.3	0.3	0.5 ÷ 1.5	9.0	5.2 ÷ 5.6	FRCP0301505	0306000	1000
M4	6.4	6.9	0.5	0.5 ÷ 2.0	10.5	6.3 ÷ 6.7	FRCP0402006	0306400	500
M5	7.2	7.7	0.5	0.5 ÷ 3.0	12.0	7.4 ÷ 7.8	FRCP0503007	0307000	500
M6	9.6	10.2	0.5	0.5 ÷ 3.0	14.0	8.8 ÷ 9.6	FRCP0603010	0307300	500
M8	10.6	11.3	0.5	1.0 ÷ 3.0	16.0	10 ÷ 10.8	FRCP0803011	0307800	250



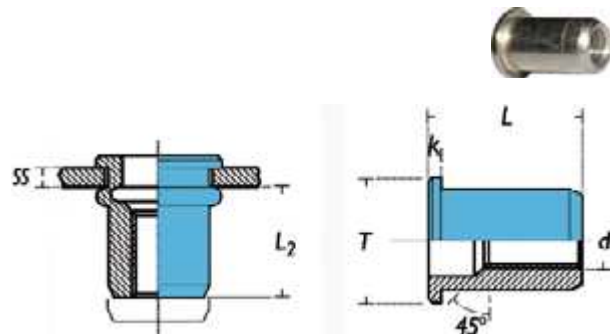
d	Kg	N	kgm	Nm
mm				
M3	380	3720	0.15	1.5
M4	630	6160	0.7	7
M5	1270	12450	1.4	14
M6	2330	22830	2.2	22
M8	3250	31850	3.2	32











## RIVSERT A2

Inox A2  
Fût Cylindrique Lisse Ouvert  
Tête Plate

ITC/A2  
34100



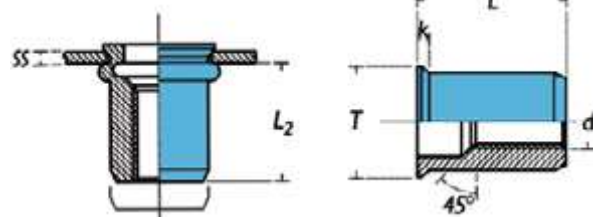
d		T	k	Plage de serrage	L	L <sub>2</sub>	référence	Code	Boitage
mm	mm	mm	max	mm	mm	min ÷ max			
M3		6.0	0.8	0.5 ÷ 2.0	9.5	5.5 ÷ 5.8	ITCA20302005	0315100	1000
				2.0 ÷ 3.0	10.5		ITCA20303005	0315200	1000
M4		9.0	1.0	0.5 ÷ 2.0	11.0	5.5 ÷ 6.0	ITCA20402006	2874400	500
				2.5 ÷ 4.0	13.0		ITCA20404006	3351300	500
M5		10.0	1.2	0.5 ÷ 2.5	13.0	7.2 ÷ 7.7	ITCA20502507	2677600	250
				3.0 ÷ 5.0	15.5		ITCA20505007	3351400	250
M6		12.0	1.5	0.5 ÷ 3.0	14.5	7.6 ÷ 8.2	ITCA20603009	2677700	250
				3.0 ÷ 4.0	16.0		ITCA20604009	2740400	200
M8		15.0	1.5	1.0 ÷ 3.0	17.5	9.5 ÷ 10.1	ITCA20803011	2677800	200
				3.0 ÷ 6.0	20.0		ITCA20806011	3055800	100
M10		17.0	1.7	1.0 ÷ 3.5	21.0	13.0 ÷ 14.0	ITCA21003512	2677900	100
M10		17.0	1.7	1.0 ÷ 3.5	21.0	13.0 ÷ 14.0	ITCA21003513	1735400	100
				3.0 ÷ 6.0	26.0		ITCA21006013	1735500	100


d	Kg	N	kgm	Nm
mm				
M3	380	3720	0.15	1.5
M4	630	6160	0.7	7
M5	1270	12450	1.4	14
M6	2330	22830	2.2	22
M8	3250	31850	3.2	32
M10 D12	4050	39690	5.4	54
M10 D13	4050	39690	5.4	54

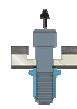
## RIVSERT A2

Inox A2  
Fût cylindrique lisse ouvert  
Tête autoaffleurante

IRC/A2  
34120



d		T	k	Plage de serrage	L	L <sub>2</sub>	référence	Code	Boitage
mm	mm	mm	max	mm	mm	min ÷ max			
M3	5.0	5.5	0.3	0.5 ÷ 2.0	8.5	4.2 ÷ 4.6	IRCA20302005	3386200	500
M4	6.0	7.0	0.5	0.5 ÷ 2.0	10.0	6.5 ÷ 7.0	IRCA20402006	2734900	500
M5	7.0	8.0	0.5	0.5 ÷ 3.0	12.0	8.0 ÷ 8.5	IRCA20503007	2678100	250
M6	9.0	10.0	0.5	0.5 ÷ 3.0	13.5	9.0 ÷ 9.7	IRCA20603009	2678200	250
M8	11.0	12.0	0.5	1.0 ÷ 3.0	16.5	10.0 ÷ 11.5	IRCA20803011	2678300	250
M10	12.0	14.0	0.8	1.0 ÷ 3.5	18.0	12.0 ÷ 13.0	IRCA21003512	0319300	100
M10	13.0	14.0	0.8	1.0 ÷ 3.5	21.0	12.0 ÷ 13.0	IRCA21003513	0388200	100
				3.5 ÷ 6.0	22.5		IRCA21006013	1054300	100

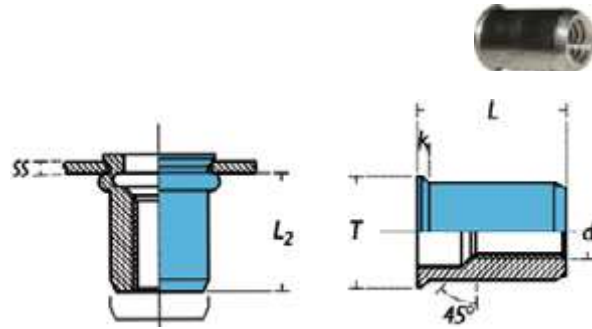


d	Kg	N	kgm	Nm
mm				
M3	380	3720	0.15	1.5
M4	630	6160	0.7	7
M5	1270	12450	1.4	14
M6	2330	22830	2.2	22
M8	3250	31850	3.2	32
M10 D12	4050	39690	5.4	54
M10 D13	4050	39690	5.4	54

**RIVSERT A2**  
cotes américaines

Inox A2  
Fût Cylindrique Lisse Ouvert  
Tête Autoaffleurante

**IRCP/A2**  
34120



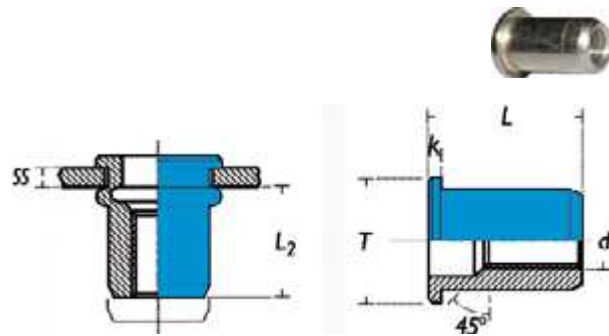
d		T	k	Plage de serrage	L	L <sub>2</sub>	référence	Code	Boitage
mm	mm	mm	max	mm	mm	min ÷ max			
<b>M3</b>	4.8	5.3	0.3	<b>0.5 ÷ 1.5</b>	9.0	5.2 ÷ 5.6	IRCPA20301505	<b>1740800</b>	<b>1000</b>
<b>M4</b>	6.4	6.9	0.5	<b>0.5 ÷ 2.0</b>	10.5	6.3 ÷ 6.7	IRCPA20402006	<b>1740900</b>	<b>500</b>
<b>M5</b>	7.2	7.7	0.5	<b>0.5 ÷ 3.0</b>	12.0	7.4 ÷ 7.8	IRCPA20503007	<b>1741000</b>	<b>500</b>
<b>M6</b>	9.6	10.2	0.5	<b>0.7 ÷ 3.0</b>	14.0	8.8 ÷ 9.6	IRCPA20603010	<b>1741100</b>	<b>500</b>
<b>M8</b>	10.6	11.3	0.5	<b>1.0 ÷ 3.5</b>	16.0	10 ÷ 10.8	IRCPA20803511	<b>1741200</b>	<b>500</b>

d	Kg	N	kgm	Nm
mm				
<b>M3</b>	380	3720	0.15	1.5
<b>M4</b>	630	6160	0.7	7
<b>M5</b>	1270	12450	1.4	14
<b>M6</b>	2330	22830	2.2	22
<b>M8</b>	3250	31850	3.2	32

## RIVSERT A4

Inox A4  
Fût cylindrique lisse ouvert  
Tête plate

ITC/A4  
34100



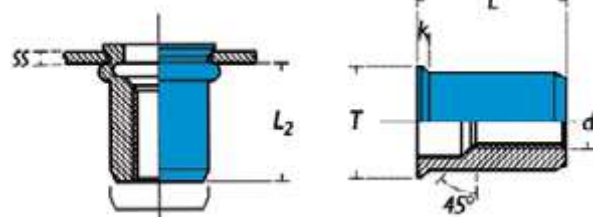
d		T	k	Plage de serrage	L	L <sub>2</sub>	référence	Code	Boitage
mm	mm	mm	max	mm	mm	min ÷ max			
M5	7.0	10.0	1.0	0.5 ÷ 3.0	12.5	7.2 ÷ 7.7	ITCA40503007	4181100	250
M6	9.0	12.0	1.5	0.5 ÷ 3.0	16.0	7.6 ÷ 8.2	ITCA40603009	4421500	250
M8	11.0	15.0	1.5	0.5 ÷ 3.0	17.5	9.5 ÷ 10.1	ITCA40803011	4329400	200


d	Kg	N	kgm	Nm
mm				
M5	1270	12450	1.4	14
M6	2330	22830	2.2	22
M8	3250	31850	3.2	32

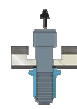
## RIVSERT A4

Inox A4  
Fût cylindrique lisse ouvert  
Tête autoaffleurante

IRC/A4  
34123



d		T	k	Plage de serrage	L	L <sub>2</sub>	référence	Code	Boitage
mm	mm	mm	max	mm	mm	min ÷ max			
M5	7.0	7.5	0.5	0.5 ÷ 3.0	12.0	8.0 ÷ 8.5	IRCA40503007	4421600	250
M6	9.0	9.5	0.5	0.5 ÷ 3.0	14.5	9.0 ÷ 9.7	IRCA40603009	4421700	250
M8	11.0	11.5	0.5	0.5 ÷ 3.0	16.0	10.7 ÷ 11.4	IRCA40803011	4421800	200

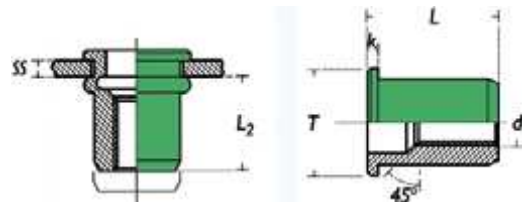


d	Kg	N	kgm	Nm
mm				
M5	1270	12450	1.4	14
M6	2330	22830	2.2	22
M8	3250	31850	3.2	32

## RIVSERT

Aluminium  
Fût cylindrique lisse ouvert  
Tête plate

ATC  
34200



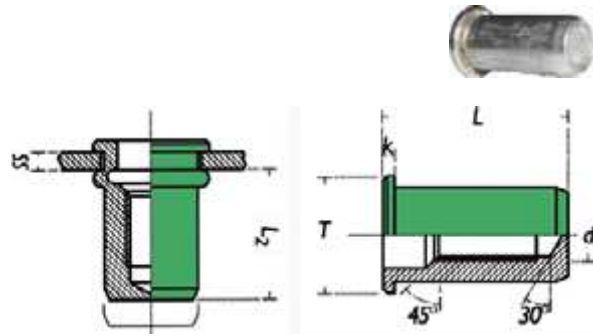
d		T	k	Plage de serrage	L	L <sub>2</sub>	référence	Code	Boitage				
mm	mm	mm	max	mm	mm	min ÷ max							
<b>M3</b>		5.0	7.0	0.8	0.5 ÷ 2.0	9.0	4.2 ÷ 4.6	ATC0302005	<b>0293800</b>	<b>1000</b>			
					2.0 ÷ 3.0	10.5					ATC0303005	<b>0293900</b>	<b>1000</b>
<b>M4</b>		6.0	9.0	1.0	0.3 ÷ 2.5	11.0	5.5 ÷ 6.0	ATC0402506	<b>0294100</b>	<b>500</b>			
					2.5 ÷ 4.0	13.0					ATC0404006	<b>0294200</b>	<b>200</b>
<b>M5</b>		7.0	10.0	1.2	0.5 ÷ 3.0	13.0	7.2 ÷ 7.7	ATC0503007	<b>0294300</b>	<b>500</b>			
					3.0 ÷ 5.0	15.5					ATC0505007	<b>0294500</b>	<b>200</b>
<b>M6</b>		9.0	12.0	1.5	0.5 ÷ 3.0	14.5	7.6 ÷ 8.2	ATC0603009	<b>0294700</b>	<b>500</b>			
					3.0 ÷ 4.0	16.0					ATC0604009	<b>3740000</b>	<b>500</b>
					4.0 ÷ 6.0	17.5					ATC0606009	<b>0295000</b>	<b>200</b>
<b>M8</b>		11.0	15.0	1.5	0.8 ÷ 3.5	17.5	9.1 ÷ 10.1	ATC0803511	<b>2582300</b>	<b>250</b>			
					3.5 ÷ 6.0	20.0					ATC0806011	<b>0295300</b>	<b>200</b>
<b>M10</b>		12.0	16.0	1.7	1.0 ÷ 3.5	19.0	10.7 ÷ 11.5	ATC1003512	<b>0295400</b>	<b>250</b>			
					3.5 ÷ 6.0	22.0					ATC1006012	<b>0295500</b>	<b>200</b>
<b>M10</b>		13.0	17.0	1.7	1.0 ÷ 3.5	21.0	12.5 ÷ 13.5	ATC1003513	<b>2582500</b>	<b>250</b>			
					3.5 ÷ 6.0	24.0					ATC1006013	<b>2582600</b>	<b>200</b>

d				
	Kg	N	kgm	Nm
mm				
<b>M3</b>	265	2600	0.07	0.7
<b>M4</b>	398	3900	0.2	2.5
<b>M5</b>	601	5900	0.5	5
<b>M6</b>	877	8600	0.8	8
<b>M8</b>	1040	10200	2	20
<b>M10 D12</b>	1427	14000	2.5	25
<b>M10 D13</b>	1529	15000	2.5	25

## RIVSERT

Aluminium  
Fût cylindrique lisse borgné  
Tête plate

SATC  
34201



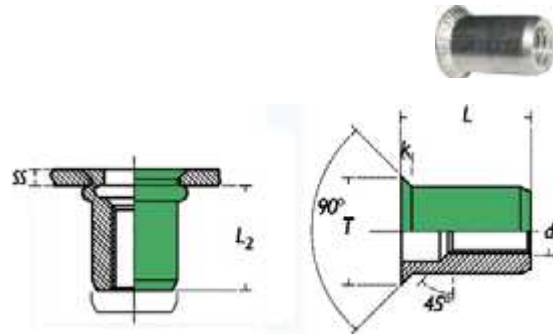
d		T	k	Plage de serrage	L	L <sub>2</sub>	référence	Code	Boitage
mm	mm	mm	max	mm	mm	min ÷ max			
<b>M4</b>	6.0	9.0	1.0	0.5 ÷ 2.5	16.5	11.3 ÷ 12.0	SATC0402506	<b>1085500</b>	<b>500</b>
				2.5 ÷ 4.0	18.0		SATC0404006	<b>1085200</b>	<b>500</b>
<b>M5</b>	7.0	10.0	1.2	0.5 ÷ 3.0	18.0	12.3 ÷ 13.0	SATC0503007	<b>2866400</b>	<b>500</b>
<b>M6</b>	9.0	12.0	1.5	0.5 ÷ 2.3	20.5	14.0 ÷ 14.5	SATC0602309	<b>1661900</b>	<b>500</b>
<b>M8</b>	11.0	15.0	1.5	0.8 ÷ 3.5	25.5	17.5 ÷ 18.2	SATC0803511	<b>3646700</b>	<b>250</b>
				3.5 ÷ 6.0	28.0		SATC0806011	<b>0297900</b>	<b>200</b>

d	Kg	N	kgm	Nm
mm				
<b>M4</b>	398	3900	0.2	2.5
<b>M5</b>	601	5900	0.5	5
<b>M6</b>	877	8600	0.8	8
<b>M8</b>	1040	10200	2	20

## RIVSERT

Aluminium  
Fût cylindrique lisse ouvert  
Tête fraisée

ASC  
34210



d		T	k	Plage de serrage	L	L <sub>2</sub>	référence	Code	Boitage
mm	mm	mm	max	mm	mm	min ÷ max			
<b>M3</b>	5.0	8.0	1.5	1.5 ÷ 3.0	9.5	4.7 ÷ 5.3	ASC0303005	<b>2697000</b>	<b>1000</b>
				3.0 ÷ 4.0	10.5	ASC0304005	<b>2697100</b>	<b>1000</b>	
<b>M4</b>	6.0	9.0	1.5	1.5 ÷ 3.5	11.0	5.3 ÷ 6.1	ASC0403506	<b>0296300</b>	<b>500</b>
				3.5 ÷ 5.0	13.0	ASC0405006	<b>0296500</b>	<b>500</b>	
<b>M5</b>	7.0	10.0	1.5	1.5 ÷ 3.5	13.0	6.8 ÷ 7.3	ASC0503507	<b>0296600</b>	<b>500</b>
				3.5 ÷ 6.0	15.0	ASC0506007	<b>0198600</b>	<b>500</b>	
<b>M6</b>	9.0	12.0	1.5	1.5 ÷ 3.5	15.0	8.5 ÷ 9.2	ASC0603509	<b>0297100</b>	<b>500</b>
				3.5 ÷ 6.0	17.0	ASC0606009	<b>0297200</b>	<b>500</b>	
<b>M8</b>	11.0	14.0	1.5	1.5 ÷ 3.5	16.5	9.5 ÷ 10.4	ASC0803511	<b>0297300</b>	<b>250</b>
				3.5 ÷ 6.0	19.0	ASC0806011	<b>0297500</b>	<b>200</b>	
<b>M10</b>	13.0	15.0	1.5	1.5 ÷ 3.5	18.0	11.0 ÷ 12.0	ASC1003513	<b>0297600</b>	<b>250</b>
				3.5 ÷ 6.0	20.5	ASC1006013	<b>0297700</b>	<b>200</b>	



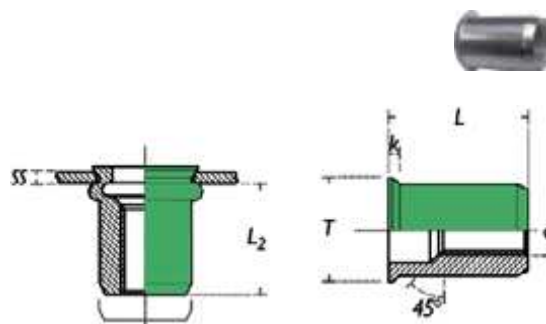
d	Kg	N	kgm	Nm
mm				
<b>M3</b>	265	2600	0.07	0.7
<b>M4</b>	398	3900	0.2	2.5
<b>M5</b>	601	5900	0.5	5
<b>M6</b>	877	8600	0.8	8
<b>M8</b>	1040	10200	2	20
<b>M10</b>	1427	14000	2.5	25



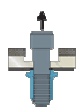
## RIVSERT

Aluminium  
Fût cylindrique lisse ouvert  
Tête autoaffleurante

ARC  
34213



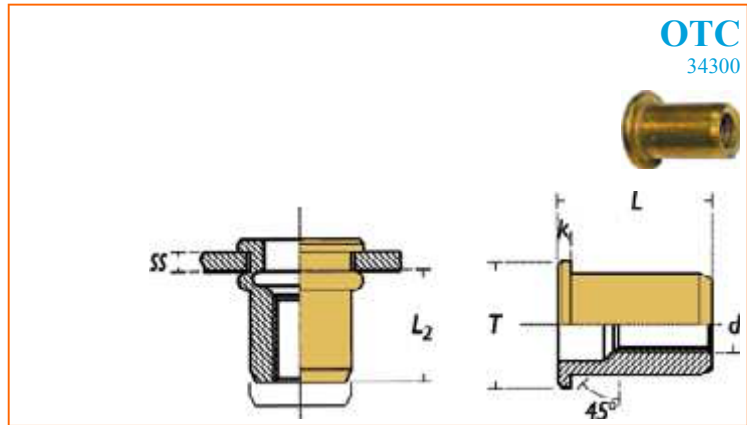
d		T	k	Plage de serrage	L	L <sub>2</sub>	référence	Code	Boitage
mm	mm	mm	max	mm	mm	min ÷ max			
M4	6.0	7.0	0.5	0.5 ÷ 2.0	10.5	6.0	ARC0402006	4367400	1000
M5	7.0	8.0	0.5	0.5 ÷ 3.0	11.5	6.3	ARC0503007	4364900	1000
M6	9.0	10.0	0.5	0.5 ÷ 3.0	14.5	8.6	ARC0603009	4367500	500
M8	11.0	12.0	0.5	0.5 ÷ 3.0	16.5	10.0	ARC0803011	4367600	500



d	Kg	N	kgm	Nm
mm				
M4	398	3900	0.2	2.5
M5	601	5900	0.5	5
M6	877	8600	0.8	8
M8	1040	10200	2	20

## RIVSERT

Bronze  
Fût cylindrique lisse ouvert  
Tête plate



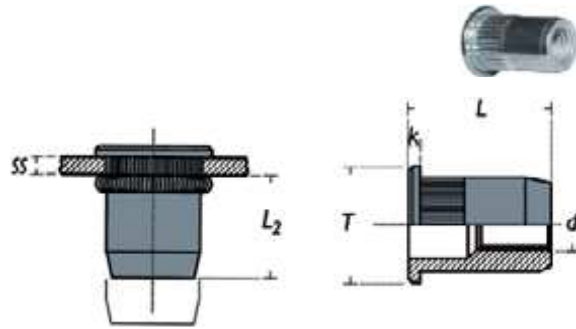
d		T	k	Plage de serrage	L	L <sub>2</sub>	référence	Code	Boitage
mm	mm	mm	max	mm	mm	min ÷ max			
M5	7.0	10.0	1.0	0.5 ÷ 2.0	13.0	7.0 ÷ 8.0	OTC0502007	0323500	500
M6	9.0	13.0	1.5	0.5 ÷ 3.0	16.0	8.0 ÷ 9.0	OTC0603009	0323700	500
M8	11.0	16.0	1.5	0.5 ÷ 3.5	17.0	9.0 ÷ 10.0	OTC0803511	0324000	250


d	Kg	N	kgm	Nm
mm				
M5	1167	11450	0.7	7
M6	1723	16900	1.5	15
M8	2467	24200	2.6	26

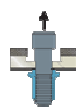
## RIVSERT

Acier  
Fût Cylind. Cranté Ouvert  
Tête Plate

FTC-Z  
34002



d		T	k	Plage de serrage	L	L <sub>2</sub>	référence	Code	Boitage
mm	mm	mm	max	mm	mm	min ÷ max			
M3	5.0	8.0	0.8	0.5 ÷ 1.5	10.0	4.2 ÷ 4.6	FTCZ0301505	3579500	1000
M4	6.0	9.0	1.0	0.5 ÷ 2.0 2.0 ÷ 3.5	10.5 12.0	5.5 ÷ 6.0	FTCZ0402006 FTCZ0403506	2750500 2690600	500 500
M5	7.0	10.0	1.2	0.5 ÷ 2.5 2.5 ÷ 5.0	13.0 16.5	7.2 ÷ 7.7	FTCZ0502507 FTCZ0505007	2194100 2806800	100 500
M6	9.0	12.0	1.5	0.5 ÷ 3.0 3.0 ÷ 5.5	15.5 18.0	7.6 ÷ 8.2	FTCZ0603009 FTCZ0605509	2194200 3329900	500 500
M8	11.0	15.0	1.5	1.0 ÷ 3.5 3.5 ÷ 6.0 6.0 ÷ 9.0	18.5 21.0 23.0	9.5 ÷ 10.1	FTCZ0803511 FTCZ0806011 FTCZ0809011	2194400 3353600 4350600	250 250 250
M10	12.0	16.0	1.7	1.0 ÷ 3.5 3.5 ÷ 6.0	19.0 22.0	10.7 ÷ 11.9	FTCZ1003512 FTCZ1006012	2698000 3747700	250 100
M10	13.0	17.0	1.7	1.0 ÷ 3.5 3.5 ÷ 6.0	21.5 24.0	12.5 ÷ 13.5	FTCZ1003513 FTCZ1006013	3009100 3328000	250 100
M12	16.0	22.0	2.0	1.0 ÷ 4.0 3.5 ÷ 7.0	25.0 29.0	14.5 ÷ 15.5	FTCZ1204016 FTCZ1207016	3502700 4217400	50 50

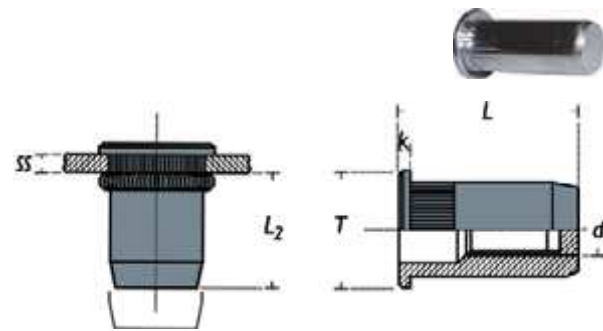



d	Kg	N	kgm	Nm
mm				
M3	430	4300	0.1	1
M4	740	7300	0.4	4
M5	1160	11450	0.7	7
M6	1720	16900	1.5	15
M8	2460	24200	2.6	26
M10 D12	2920	28650	4.5	45
M10 D13	3160	31000	4.5	45
M12	4840	47500	7.6	76

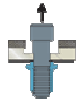

## RIVSERT

Acier  
Fût Cylind. Cranté Borgne  
Tête Plate

SFTC-Z  
34003



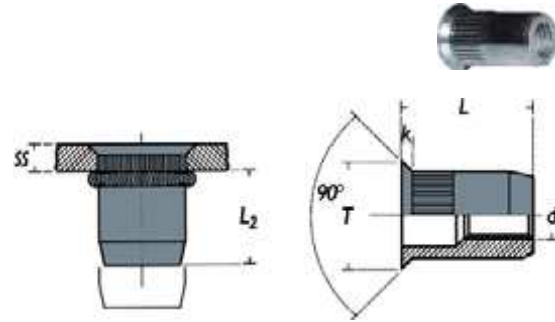
d		T	k	Plage de serrage	L	L <sub>2</sub>	référence	Code	Boitage
mm	mm	mm	max	mm	mm	min ÷ max			
<b>M3</b>	5.0	7.0	0.8	<b>0.5 ÷ 2.0</b>	13.0	9.5 ÷ 10.5	SFTCZ0302005	<b>4369400</b>	500
				<b>1.5 ÷ 3.5</b>	14.5	9.5 ÷ 10.5	SFTCZ0303505	<b>3512900</b>	500
<b>M4</b>	6.0	9.0	0.8	<b>0.5 ÷ 2.0</b>	16.0	10.5 ÷ 11.5	SFTCZ0402006	<b>3622500</b>	500
				<b>2.0 ÷ 4.0</b>	18.0		SFTCZ0404006	<b>4369300</b>	500
<b>M5</b>	7.0	10.0	1.0	<b>0.5 ÷ 3.0</b>	17.0	11.0 ÷ 12.0	SFTCZ0503007	<b>2877600</b>	500
				<b>3.0 ÷ 5.0</b>	19.0		SFTCZ0505007	<b>2516900</b>	500
<b>M6</b>	9.0	12.0	1.3	<b>0.5 ÷ 3.0</b>	19.0	11.5 ÷ 13.0	SFTCZ0603009	<b>3151800</b>	500
				<b>3.0 ÷ 5.0</b>	21.0		SFTCZ0605009	<b>4369500</b>	500
<b>M8</b>	11.0	15.0	1.5	<b>0.5 ÷ 3.0</b>	21.5	13.5 ÷ 15.0	SFTCZ0803011	<b>3622600</b>	250
				<b>3.0 ÷ 5.5</b>	24.0		SFTCZ0805511	<b>4369700</b>	250
<b>M10</b>	13.0	17.0	1.6	<b>1.0 ÷ 4.0</b>	27.0	18.5 ÷ 20.0	SFTCZ1004013	<b>4369800</b>	100


d				
	Kg	N	kgm	Nm
mm				
<b>M3</b>	430	4300	0.1	1
<b>M4</b>	740	7300	0.4	4
<b>M5</b>	1160	11450	0.7	7
<b>M6</b>	1720	16900	1.5	15
<b>M8</b>	2460	24200	2.6	26
<b>M10</b>	3160	31000	4.5	45

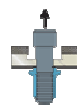
# RIVSERT

Acier  
Fût Cylind. Cranté Ouvert  
Tête Fraisée

FSC-Z  
34012



d		T	k	Plage de serrage	L	L <sub>2</sub>	référence	Code	Boitage
mm	mm	mm	max	mm	mm	min ÷ max			
M3	5.0	8.0	1.5	1.5 ÷ 3.0	9.5	4.5 ÷ 5.5	FSCZ0303005	3502600	1000
M4	6.0	9.0	1.5	1.5 ÷ 3.0	12.0	6.0 ÷ 6.5	FSCZ0403006	3492800	500
M5	7.0	10.0	1.5	1.5 ÷ 3.5 3.5 ÷ 6.0	13.0 16.0	6.5 ÷ 7.5	FSCZ0503507 FSCZ0506007	3115900 3776800	500 500
M6	9.0	12.0	1.5	1.5 ÷ 4.0 3.5 ÷ 5.0	15.5 17.5	8.5 ÷ 9.5	FSCZ0604009 FSCZ0605009	3020300 3776900	500 500
M8	11.0	14.0	1.5	2.0 ÷ 4.5 5.0 ÷ 7.0	18.5 20.5	9.5 ÷ 11.0	FSCZ0804511 FSCZ0807011	3116000 3348600	250 250
M10	13.0	16.0	1.5	2.0 ÷ 5.0	21.0	11.0 ÷ 13.0	FSCZ1005013	3264800	250

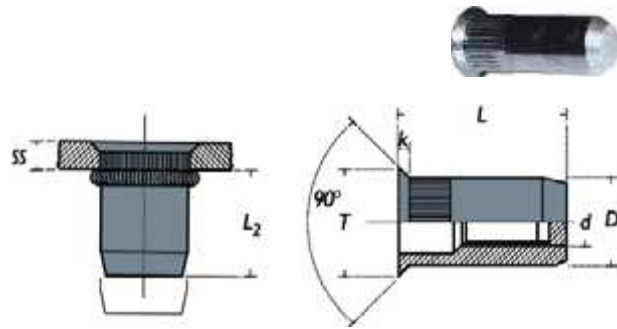



d	Kg	N	kgm	Nm
mm				
M3	430	4300	0.1	1
M4	740	7300	0.4	4
M5	1160	11450	0.7	7
M6	1720	16900	1.5	15
M8	2460	24200	2.6	26
M10	3160	31000	4.5	45



# RIVSERT

Acier  
Fût Cylind. Cranté Borgne  
Tête Fraisée

SFSC-Z  
34013



d		T	k	Plage de serrage	L	L <sub>2</sub>	référence	Code	Boitage
mm	mm	mm	max	mm	mm	min ÷ max			
<b>M4</b>	6.0	9.0	1.5	<b>1.5 ÷ 3.0</b>	15.0	9.0 ÷ 10.0	SFSCZ0403006	<b>1899400</b>	250
<b>M5</b>	7.0	10.0	1.5	<b>1.5 ÷ 4.0</b>	20.0	13.0 ÷ 14.0	SFSCZ0504007	<b>1688300</b>	250
<b>M6</b>	9.0	12.0	1.5	<b>1.5 ÷ 4.0</b>	23.0	16.0 ÷ 17.0	SFSCZ0604009	<b>2235500</b>	500
<b>M8</b>	11.0	14.0	1.5	<b>1.5 ÷ 4.0</b>	26.0	18.0 ÷ 19.0	SFSCZ0804011	<b>1920400</b>	250
<b>M10</b>	13.0	15.0	1.5	<b>1.5 ÷ 5.0</b>	32.0	24.0 ÷ 25.0	SFSCZ1005013	<b>3254300</b>	100

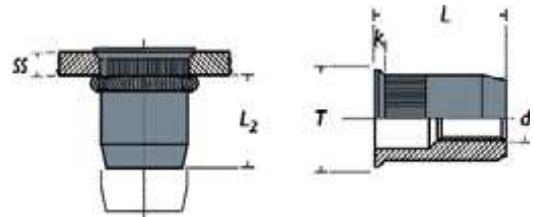











d	Kg	N	kgm	Nm
mm				
<b>M4</b>	740	7300	0.4	4
<b>M5</b>	1160	11450	0.7	7
<b>M6</b>	1720	16900	1.5	15
<b>M8</b>	2460	24200	2.6	26
<b>M10</b>	3160	31000	4.5	45

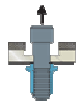

# RIVSERT

Acier  
Fût Cylind. Cranté Ouvert  
Tête Autoaffleurante

**FRC-Z**  
34022



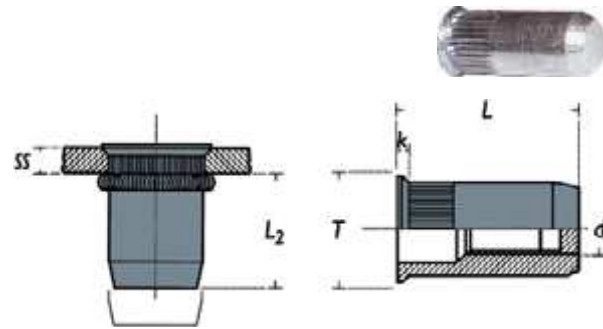
d		T	k	Plage de serrage	L	L <sub>2</sub>	référence	Code	Boitage
mm	mm	mm	max	mm	mm	min ÷ max			
<b>M3</b>		5.0	5.5	0.3	<b>0.5 ÷ 2.0</b>	8.5	FRCZ0302005	<b>3394700</b>	1000
					<b>2.0 ÷ 3.5</b>	9.5			
<b>M4</b>		6.0	7.0	0.5	<b>0.5 ÷ 2.0</b>	10.0	FRCZ0402006	<b>2673800</b>	500
					<b>2.0 ÷ 4.0</b>	13.0			
<b>M5</b>		7.0	8.0	0.5	<b>0.5 ÷ 3.0</b>	12.0	FRCZ0503007	<b>2232600</b>	1000
					<b>2.0 ÷ 4.0</b>	13.0			
<b>M6</b>		9.0	10.0	0.5	<b>0.5 ÷ 3.0</b>	14.0	FRCZ0603009	<b>1962000</b>	500
					<b>3.0 ÷ 5.0</b>	17.5			
<b>M8</b>		11.0	12.0	0.5	<b>0.5 ÷ 3.0</b>	16.5	FRCZ0803011	<b>1831600</b>	250
					<b>3.0 ÷ 5.0</b>	18.5			
<b>M10</b>		13.0	14.0	0.8	<b>1.0 ÷ 3.5</b>	21.0	FRCZ1003513	<b>3015900</b>	250
					<b>3.0 ÷ 6.0</b>	22.0			
<b>M12</b>		16.0	18.0	1.0	<b>1.0 ÷ 4.0</b>	24.0	FRCZ1204016	<b>3751300</b>	100








d				
	Kg	N	kgm	Nm
mm				
<b>M3</b>	430	4300	0.1	1
<b>M4</b>	740	7300	0.4	4
<b>M5</b>	1160	11450	0.7	7
<b>M6</b>	1720	16900	1.5	15
<b>M8</b>	2460	24200	2.6	26
<b>M10</b>	3160	31000	4.5	45
<b>M12</b>	3640	35700	7.0	70

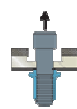
## RIVSERT

Acier  
Fût Cylind. Cranté Borgne  
Tête Autoaffleurante

SFRC-Z  
34023



d		T	k	Plage de serrage	L	L <sub>2</sub>	référence	Code	Boitage
mm	mm	mm	max	mm	mm	min ÷ max			
<b>M3</b>		6.0	0.5	0.5 ÷ 2.0	12.5	9.0 ÷ 10.0	SFRCZ0302005	<b>1664300</b>	500
				1.5 ÷ 3.5	14.0		SFRCZ0303505	<b>1664400</b>	500
<b>M4</b>		7.0	0.5	0.5 ÷ 2.0	15.0	10.5 ÷ 11.5	SFRCZ0402006	<b>1664500</b>	250
				2.0 ÷ 3.0	16.0		SFRCZ0403006	<b>1664600</b>	250
<b>M5</b>		8.0	0.5	0.5 ÷ 2.0	16.5	12.0 ÷ 13.0	SFRCZ0502007	<b>1529800</b>	250
				2.0 ÷ 3.5	17.5		SFRCZ0503507	<b>1571500</b>	250
<b>M6</b>		10.0	0.6	0.5 ÷ 2.0	20.5	15.0 ÷ 16.0	SFRCZ0602009	<b>3309600</b>	500
				3.0 ÷ 4.5	22.0		SFRCZ0904506	<b>1664700</b>	500
<b>M8</b>		12.0	0.6	1.0 ÷ 3.5	23.0	17.0 ÷ 18.0	SFRCZ0803511	<b>1664800</b>	250
				3.0 ÷ 4.5	24.5		SFRCZ0804511	<b>1664900</b>	250
<b>M10</b>		14.0	0.7	1.0 ÷ 3.0	24.5	18.0 ÷ 19.0	SFRCZ1003013	<b>1665000</b>	100
				3.0 ÷ 5.0	26.0		SFRCZ1005013	<b>1665100</b>	100



d	Kg	N	kgm	Nm
mm				
<b>M3</b>	430	4300	0.1	1
<b>M4</b>	744	7300	0.5	5
<b>M5</b>	1167	11450	0.7	7
<b>M6</b>	1723	16900	1.5	15
<b>M8</b>	2467	24200	3.3	32
<b>M10</b>	3160	31000	4.5	45

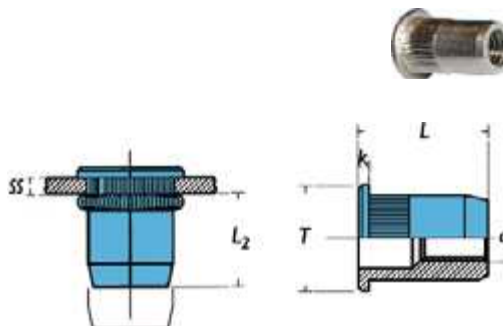



## RIVSERT

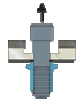

Inox A2  
Fût Cylind. Cranté Ouvert  
Tête Plate

ITC-Z/A2

34100



d		T	k	Plage de serrage	L	L <sub>2</sub>	référence	Code	Boitage
mm	mm	mm	max	mm	mm	min ÷ max			
M3	5.0	8.0	0.8	0.5 ÷ 2.0	9.0	5.5 ÷ 6.0	ITCZA20302005	3213900	1000
M4	6.0	9.0	1.0	0.5 ÷ 2.5	11.0	6.0 ÷ 6.5	ITCZA20402506	3214300	500
				2.5 ÷ 4.0	12.5		ITCZA20404006	4328400	500
M5	7.0	10.0	1.2	0.5 ÷ 3.0	13.0	7.0 ÷ 8.0	ITCZA20503007	3214400	250
				4.0 ÷ 6.0	17.0		ITCZA20506007	3731500	500
M6	9.0	12.0	1.3	0.5 ÷ 3.0	15.5	8.0 ÷ 9.0	ITCZA20603009	3214500	250
				3.5 ÷ 6.0	19.0		ITCZA20606009	3348100	250
M8	11.0	15.0	1.5	1.0 ÷ 3.5	18.5	10.0 ÷ 11.5	ITCZA20803511	3214600	250
				3.5 ÷ 6.0	20.0		ITCZA20806011	3279200	100
M10	13.0	17.0	1.6	1.0 ÷ 3.5	21.0	12.5 ÷ 14.0	ITCZA21003513	3214700	100
				3.0 ÷ 6.0	26.0	12.5 ÷ 14.0	ITCZA21006013	4325500	100

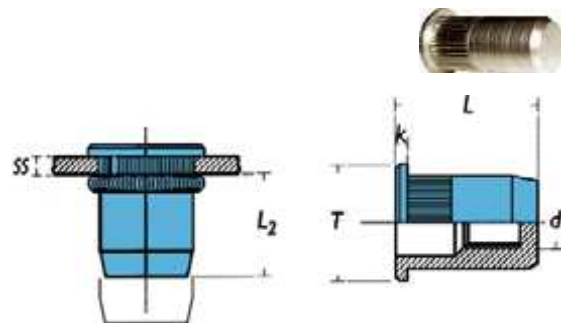
d				
	Kg	N	kgm	Nm
mm				
M3	380	3720	0.15	1.5
M4	630	6160	0.7	7
M5	1270	12450	1.4	14
M6	2330	22830	2.2	22
M8	3250	31850	3.2	32
M10	4050	39690	5.4	54


## RIVSERT

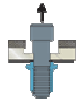
Inox A2  
Fût Cylind. Cranté Borgne  
Tête Plate


SITC-Z/A2

34103



d		T	k	Plage de serrage	L	L <sub>2</sub>	référence	Code	Boitage
mm	mm	mm	max	mm	mm	min ÷ max			
<b>M4</b>	6.0	9.0	0.8	<b>0.5 ÷ 2.0</b>	16.0	10.5 ÷ 11.5	SITCZA20402006	<b>1922800</b>	250
<b>M5</b>	7.0	10.0	1.0	<b>0.5 ÷ 2.5</b>	17.0	12.0 ÷ 13.0	SITCZA20502507	<b>3009700</b>	250
<b>M6</b>	9.0	12.0	1.5	<b>0.5 ÷ 3.0</b>	19.0	13.0 ÷ 14.0	SITCZA20603009	<b>3009800</b>	200
<b>M8</b>	11.0	15.0	1.5	<b>1.0 ÷ 3.5</b>	21.5	14.0 ÷ 15.0	SITCZA20803511	<b>4368000</b>	100
<b>M10</b>	13.0	17.0	1.5	<b>1.0 ÷ 4.0</b>	27.0	16.0 ÷ 18.0	SITCZA21004013	<b>4368100</b>	50



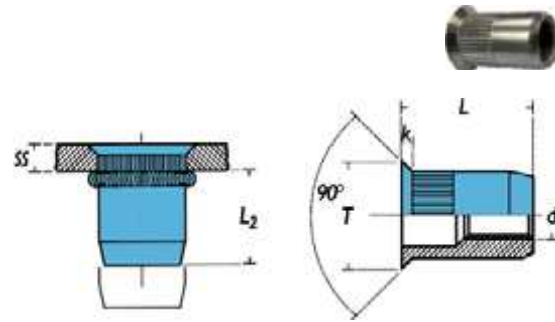



d	Kg	N	kgm	Nm
mm				
<b>M4</b>	630	6160	0.7	7
<b>M5</b>	1270	12450	1.4	14
<b>M6</b>	2330	22830	2.2	22
<b>M8</b>	3250	31850	3.2	32
<b>M10</b>	4050	39690	5.4	54

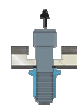
## RIVSERT

Inox A2  
Fût Cylind. Cranté Ouvert  
Tête Fraisée

ISC-Z/A2  
34111



d		T	k	Plage de serrage	L	L <sub>2</sub>	référence	Code	Boitage
mm	mm	mm	max	mm	mm	min ÷ max			
M3	5.0	8.0	1.5	1.5 ÷ 3.0	11.5	4.5 ÷ 5.5	ISCZA20303005	4325000	500
M4	6.0	9.0	1.5	1.5 ÷ 3.5	11.5	6.0 ÷ 6.5	ISCZA20403506	4368200	500
				3.5 ÷ 5.0	13.0		ISCZA20405006	4325200	500
M5	7.0	10.0	1.5	1.5 ÷ 3.5	12.5	6.5 ÷ 7.0	ISCZA20503507	4325100	500
				4.0 ÷ 6.0	15.0		ISCZA20506007	4368300	500
M6	9.0	12.0	1.5	1.5 ÷ 4.5	17.0	8.5 ÷ 9.5	ISCZA20604509	4312500	250
				4.5 ÷ 6.5	19.0		ISCZA20606509	3669400	250
M8	11.0	14.0	1.5	1.5 ÷ 4.5	18.5	9.5 ÷ 11.0	ISCZA20804511	4331500	250
				3.5 ÷ 6.5	21.0		ISCZA20806511	4368400	250
M10	13.0	16.0	1.5	1.5 ÷ 4.0	22.0	12.0 ÷ 14.5	ISCZA21004013	4325300	50
				3.5 ÷ 6.5	25.0		ISCZA21006513	4325400	50

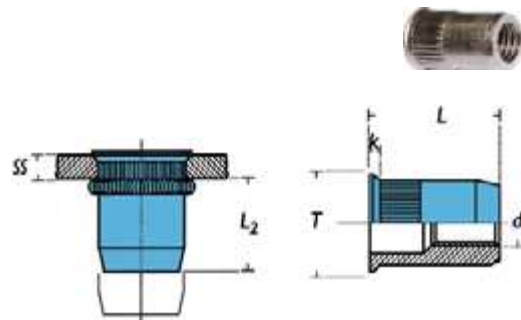



d	Kg	N	kgm	Nm
mm				
M3	380	3720	0.15	1.5
M4	630	6160	0.7	7
M5	1270	12450	1.4	14
M6	2330	22830	2.2	22
M8	3250	31850	3.2	32
M10	4050	39690	5.4	54

## RIVSERT

Inox A2  
Fût Cylind. Cranté Ouvert  
Tête Autoaffleurante

IRC-Z/A2  
34121



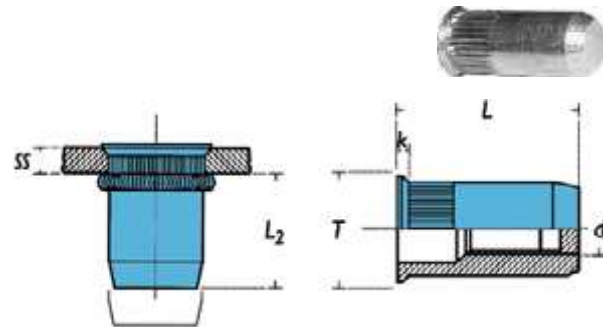
d		T	k	Plage de serrage	L	L <sub>2</sub>	référence	Code	Boitage
mm	mm	mm	max	mm	mm	min ÷ max			
M3	5.0	5.5	0.3	0.5 ÷ 1.5	8.5	4.0 ÷ 4.5	IRCZA20301505	3214000	1000
M4	6.0	7.0	0.5	0.5 ÷ 2.5	10.5	6.5 ÷ 7.0	IRCZA20402506	3214800	500
M5	7.0	8.0	0.5	0.5 ÷ 2.0	12.0	7.5 ÷ 8.5	IRCZA20502007	1740700	500
				2.5 ÷ 4.5	13.0		IRCZA20504507	1237500	1000
M6	9.0	10.0	0.5	0.5 ÷ 3.0	14.0	8.5 ÷ 10.0	IRCZA20603009	3215000	500
				3.5 ÷ 6.0	17.5		IRCZA20606009	4281900	500
M8	11.0	12.0	0.5	1.0 ÷ 3.5	16.5	10.5 ÷ 11.5	IRCZA20803511	3215100	250
				3.0 ÷ 6.0	19.5		IRCZA20806011	4281800	250
M10	13.0	14.0	0.8	1.0 ÷ 3.5	18.0	11.0 ÷ 13.0	IRCZA21003513	3215200	200


d	Kg	N	kgm	Nm
mm				
M3	380	3720	0.15	1.5
M4	630	6160	0.7	7
M5	1270	12450	1.4	14
M6	2330	22830	2.2	22
M8	3250	31850	3.2	32
M10	4050	39690	5.4	54

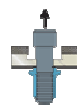
## RIVSERT

Inox A2  
Fût Cylind. Cranté Borgne  
Tête Autoaffleurante

SIRC-Z/A2  
34124



d		T	k	Plage de serrage	L	L <sub>2</sub>	référence	Code	Boitage
mm	mm	mm	max	mm	mm	min ÷ max			
<b>M4</b>	6.0	7.0	0.5	<b>0.5 ÷ 2.0</b>	15.0	10.5 ÷ 11.5	SIRCZA20402006	<b>3158300</b>	500
<b>M5</b>	7.0	8.0	0.5	<b>0.5 ÷ 2.0</b>	16.5	12.0 ÷ 13.0	SIRCZA20502007	<b>2538300</b>	250
<b>M6</b>	9.0	10.0	0.6	<b>0.5 ÷ 2.5</b>	20.5	15.0 ÷ 16.0	SIRCZA20602509	<b>2610400</b>	250
<b>M8</b>	11.0	12.0	0.6	<b>1.0 ÷ 3.0</b>	23.0	17.0 ÷ 18.0	SIRCZA20803011	<b>4367800</b>	-
<b>M10</b>	13.0	14.0	0.7	<b>1.0 ÷ 3.5</b>	24.5	18.0 ÷ 19.0	SIRCZA21003513	<b>4367900</b>	-

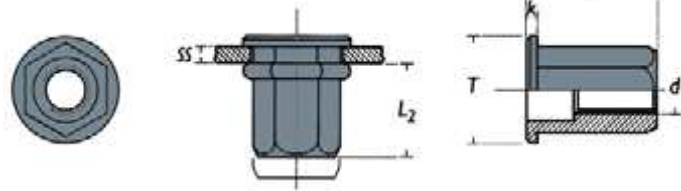










d	Kg	N	kgm	Nm
mm				
<b>M4</b>	630	6160	0.7	7
<b>M5</b>	1270	12450	1.4	14
<b>M6</b>	2330	22830	2.2	22
<b>M8</b>	3250	31850	3.2	32
<b>M10</b>	4050	39690	5.4	54

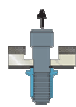
# RIVSERT

Acier  
Fût Hexagonal Ouvert  
Tête Plate

FTE  
34005



d		T	k	Plage de serrage	L	L <sub>2</sub>	référence	Code	Boitage
mm	mm	mm	max	mm	mm	min ÷ max			
<b>M4</b>		9.0	0.8	0.5 ÷ 2.0	11.0	5.5 ÷ 6.5	FTE0402006	<b>0310700</b>	500
				2.0 ÷ 4.0	13.5		FTE0404006	<b>1773800</b>	500
<b>M5</b>		10.0	1.0	0.5 ÷ 3.0	14.0	7.0 ÷ 8.0	FTE0503007	<b>0310800</b>	500
				2.0 ÷ 4.5	14.5		FTE0504507	<b>1774000</b>	500
<b>M6</b>		13.0	1.3	0.5 ÷ 3.0	15.0	8.5 ÷ 9.5	FTE0603009	<b>0310900</b>	500
				3.0 ÷ 5.5	19.5		FTE0605509	<b>1774100</b>	500
<b>M8</b>		16.0	1.5	1.0 ÷ 3.5	18.0	10.5 ÷ 12.5	FTE0803511	<b>0311000</b>	250
				3.0 ÷ 6.0	21.0		FTE0806011	<b>1774300</b>	250
<b>M10</b>		18.0	1.7	1.0 ÷ 3.5	21.0	12.5 ÷ 13.5	FTE1003512	<b>2970900</b>	250
<b>M10</b>		19.0	1.7	1.0 ÷ 3.5	23.0	12.5 ÷ 14.5	FTE1003513	<b>0311100</b>	250
		17.0		3.5 ÷ 6.0	24.0		FTE1006013	<b>1774400</b>	200
<b>M12</b>		23.0	2.0	1.0 ÷ 4.0	27.0	15.0 ÷ 16.0	FTE1204016	<b>4091200</b>	100

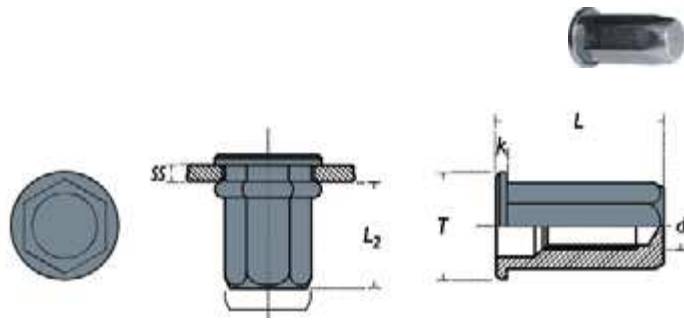



d	Kg	N	kgm	Nm
mm				
<b>M4</b>	680	6660	0.4	4
<b>M5</b>	1260	12350	0.7	7
<b>M6</b>	1770	17350	1.4	14
<b>M8</b>	2560	25090	2.4	24
<b>M10 D12</b>	3100	30380	4.0	40
<b>M10 D13</b>	4220	41360	4.2	42
<b>M12</b>	6420	62920	7.6	76

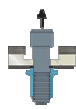
# RIVSERT

Acier  
Fût Hexagonal Borgne  
Tête Plate

SFTE  
34006



d		T	k	Plage de serrage	L	L <sub>2</sub>	référence	Code	Boitage
mm	mm	mm	max	mm	mm	min ÷ max			
<b>M4</b>	6.0	9.0	1.0	<b>0.5 ÷ 2.0</b>	15.0	10.0 ÷ 11.0	SFTE0402006	<b>1774700</b>	500
				<b>1.5 ÷ 4.0</b>	17.0		SFTE0404006	<b>1774800</b>	500
<b>M5</b>	7.0	10.0	1.0	<b>0.5 ÷ 2.5</b>	18.0	13.0 ÷ 14.0	SFTE0502507	<b>1774900</b>	500
				<b>2.0 ÷ 4.5</b>	20.0		SFTE0504507	<b>1775000</b>	500
<b>M6</b>	9.0	13.0	1.5	<b>0.5 ÷ 3.0</b>	23.0	16.0 ÷ 17.0	SFTE0603009	<b>1225100</b>	250
		12.0	1.2	<b>2.5 ÷ 5.5</b>	25.0		SFTE0605509	<b>1775100</b>	250
<b>M8</b>	11.0	16.0	1.5	<b>0.5 ÷ 3.0</b>	26.0	18.0 ÷ 19.0	SFTE0803011	<b>1732000</b>	250
				<b>3.0 ÷ 6.0</b>	27.5		SFTE0806011	<b>1775200</b>	250
<b>M10</b>	13.0	19.0	2.0	<b>1.0 ÷ 3.5</b>	33.0	24.0 ÷ 25.0	SFTE1003513	<b>1731900</b>	100
		17.0	1.7	<b>3.0 ÷ 6.0</b>	33.0		SFTE1006013	<b>1775300</b>	100

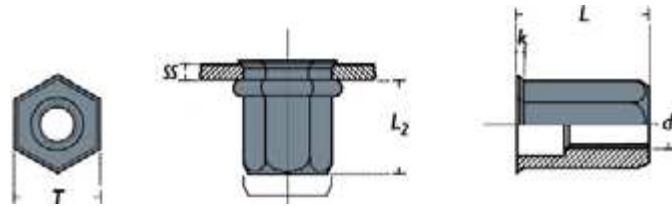



d	Kg	N	kgm	Nm
mm				
<b>M4</b>	680	6660	0.4	4
<b>M5</b>	1260	12350	0.7	7
<b>M6</b>	1770	17350	1.4	14
<b>M8</b>	2560	25090	2.4	24
<b>M10</b>	4220	41360	4.2	42

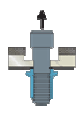
# RIVSERT


Acier  
Fût Hexagonal Ouvert  
Tête Autoaffleurante

**FRE**  
34025



d		T	k	Plage de serrage	L	L <sub>2</sub>	référence	Code	Boitage
mm	mm	mm	max	mm	mm	min ÷ max			
<b>M4</b>	6.0	7.0	0.5	<b>0.5 ÷ 2.0</b>	11.0	6.0 ÷ 7.0	FRE0402006	<b>0311300</b>	1000
				<b>1.5 ÷ 4.0</b>	12.0	FRE0404006	<b>1769100</b>	500	
<b>M5</b>	7.0	8.0	0.5	<b>0.5 ÷ 3.0</b>	14.0	7.5 ÷ 9.0	FRE0503007	<b>0311400</b>	500
				<b>2.0 ÷ 4.5</b>	14.0	FRE0504507	<b>1769300</b>	500	
<b>M6</b>	9.0	10.0	0.6	<b>0.5 ÷ 3.0</b>	16.0	9.5 ÷ 10.5	FRE0603009	<b>0311500</b>	500
				<b>2.5 ÷ 5.5</b>	17.5	FRE0605509	<b>1769400</b>	500	
<b>M8</b>	11.0	12.0	0.6	<b>0.5 ÷ 3.0</b>	18.0	11.0 ÷ 12.0	FRE0803011	<b>0311600</b>	250
				<b>3.0 ÷ 6.0</b>	20.0	FRE0806011	<b>1769600</b>	250	
<b>M10</b>	13.0	14.5	0.7	<b>1.0 ÷ 3.5</b>	19.0	14.5 ÷ 16.5	FRE1003513	<b>1769700</b>	100
				<b>3.0 ÷ 6.0</b>	22.5	FRE1006013	<b>1769800</b>	100	
<b>M12</b>	16.0	18.0	1.0	<b>1.0 ÷ 4.0</b>	25.0	17.0 ÷ 18.5	FRE1204016	<b>4280000</b>	100





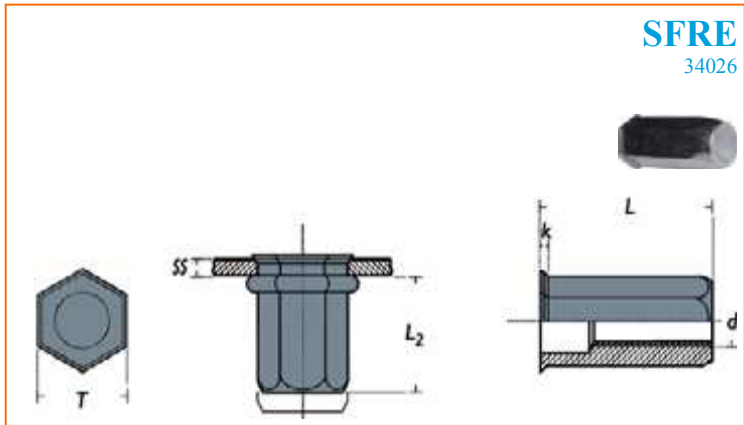
d	Kg	N	kgm	Nm
mm				
<b>M4</b>	680	6660	0.4	4
<b>M5</b>	1260	12350	0.7	7
<b>M6</b>	1770	17350	1.4	14
<b>M8</b>	2560	25090	2.4	24
<b>M10</b>	4220	41360	4.2	42
<b>M12</b>	6420	62920	7.6	76




# RIVSERT

Acier  
Fût Hexagonal Borgne  
Tête Autoaffleurante

SFRE  
34026



d		T	k	Plage de serrage	L	L <sub>2</sub>	référence	Code	Boitage
mm	mm	mm	max	mm	mm	min ÷ max			
<b>M4</b>		6.0	7.0	0.5	<b>0.5 ÷ 2.0</b>	16.0	SFRE0402006	<b>1772700</b>	500
					<b>1.5 ÷ 4.0</b>	16.5			
<b>M5</b>		7.0	8.0	0.5	<b>0.5 ÷ 3.0</b>	20.0	SFRE0503007	<b>0324700</b>	500
					<b>2.0 ÷ 4.5</b>	19.5			
<b>M6</b>		9.0	10.0	0.6	<b>0.5 ÷ 3.0</b>	21.0	SFRE0603009	<b>0324800</b>	250
					<b>2.5 ÷ 5.5</b>	24.0			
<b>M8</b>		11.0	12.0	0.6	<b>0.5 ÷ 3.5</b>	23.0	SFRE0803511	<b>1773200</b>	250
					<b>3.0 ÷ 6.0</b>	26.5			
<b>M10</b>		13.0	14.5	0.7	<b>1.0 ÷ 4.5</b>	28.5	SFRE1004513	<b>4369200</b>	100
					<b>3.0 ÷ 6.0</b>	31.5			

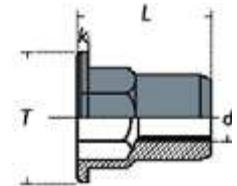
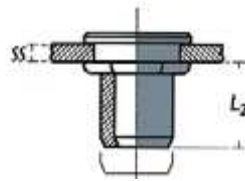



d	Kg	N	kgm	Nm
mm				
<b>M4</b>	680	6660	0.4	4
<b>M5</b>	1260	12350	0.7	7
<b>M6</b>	1770	17350	1.4	14
<b>M8</b>	2560	25090	2.4	24
<b>M10</b>	4220	41360	4.2	42

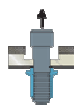
# RIVSERT

Acier  
Fût Demi-Hexag. Ouvert  
Tête Plate

FTEP  
34007



d		T	k	Plage de serrage	L	L <sub>2</sub>	référence	Code	Boitage
mm	mm	mm	max	mm	mm	min ÷ max			
M4	6.0	9.0	0.8	0.5 ÷ 2.0	11.0	5.5 ÷ 6.5	FTEP0402006	3114600	500
M5	7.0	10.0	1.0	0.5 ÷ 3.0	13.0	7.0 ÷ 8.0	FTEP0503007	2413900	1000
M6	9.0	13.0	1.3	0.5 ÷ 3.0	15.0	7.5 ÷ 8.5	FTEP0603009	2414000	1000
M8	11.0	16.0	1.5	0.5 ÷ 3.0	18.0	10.0 ÷ 11.0	FTEP0803011	2414100	250
				6.0 ÷ 9.0	23.0		FTEP0809011	4384800	-
M10	13.0	18.0	1.7	1.0 ÷ 3.5	21.0	11.5 ÷ 12.5	FTEP1003513	3109700	200
M12	16.0	23.0	2.0	1.0 ÷ 4.0	26.0	15.5 ÷ 17.0	FTEP1204016	1899000	50

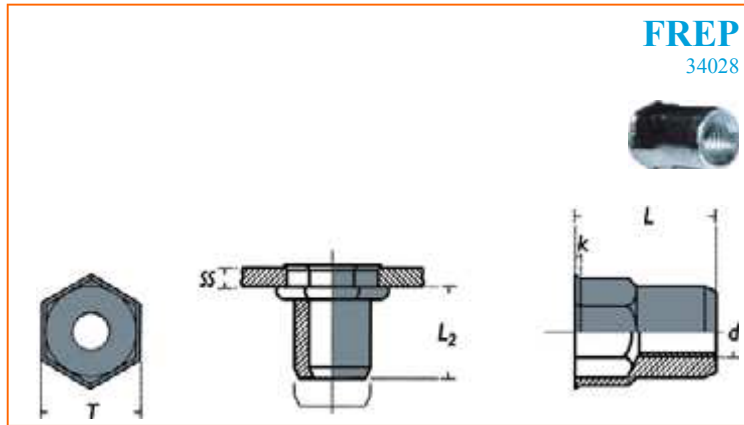



d	Kg	N	kgm	Nm
mm				
M4	660	6470	0.4	4
M5	1140	11180	0.7	7
M6	1750	17150	1.4	14
M8	2430	23810	2.4	24
M10	3480	34100	4.2	42
M12	5140	50370	7.6	76

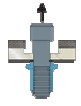
# RIVSERT


Acier  
Fût Demi-Hexag. Ouvert  
Tête Autoaffleurante

**FREP**  
34028



d		T	k	Plage de serrage	L	L <sub>2</sub>	référence	Code	Boitage	
mm	mm	mm	max	mm	mm	min ÷ max				
<b>M3</b>		5.0	6.0	0.4	0.3 ÷ 1.5	8.5	5.0 ÷ 5.5	FREP0301505	<b>4074200</b>	1000
					1.5 ÷ 2.5	10.0	5.0 ÷ 5.5	FREP0302505	<b>3383900</b>	1000
<b>M4</b>		6.0	7.0	0.5	0.5 ÷ 2.0	11.2	6.5 ÷ 7.5	FREP0402006	<b>2868400</b>	1000
					1.5 ÷ 3.0	11.5		FREP0403006	<b>4392200</b>	1000
<b>M5</b>		7.0	8.0	0.5	0.5 ÷ 3.0	12.5	7.0 ÷ 8.0	FREP0503007	<b>1673100</b>	1000
					2.5 ÷ 4.5	13.0		FREP0504507	<b>3751400</b>	500
<b>M6</b>		9.0	10.0	0.6	0.5 ÷ 3.0	16.0	8.5 ÷ 9.5	FREP0403009	<b>0867500</b>	500
					3.0 ÷ 5.5	17.8		FREP0605509	<b>3036800</b>	250
<b>M8</b>		11.0	12.0	0.6	0.5 ÷ 3.5	17.5	9.5 ÷ 10.5	FREP0803511	<b>2413800</b>	250
<b>M10</b>		13.0	14.5	0.7	1.0 ÷ 3.5	21.0	12.0 ÷ 13.0	FREP1003513	<b>3094700</b>	250
<b>M12</b>		16.0	17.5	0.7	1.0 ÷ 4.0	24.0	17.0 ÷ 18.0	FREP1204016	<b>3590500</b>	100
					3.5 ÷ 7.5	27.5		FREP1207516	<b>4356900</b>	100



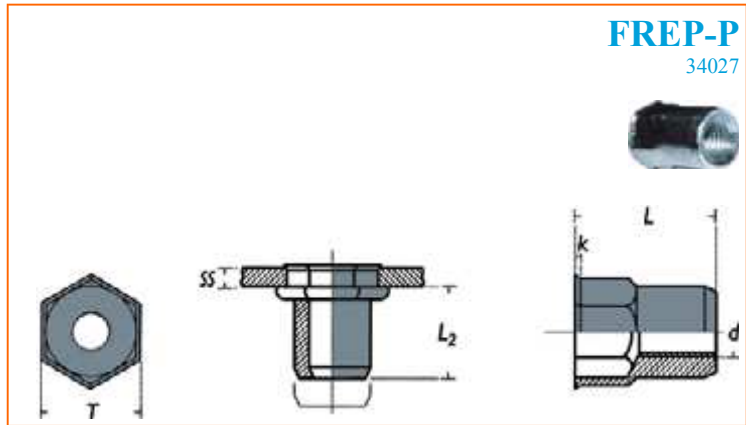



d	Kg	N	kgm	Nm
mm				
<b>M3</b>	480	4700	0.1	1
<b>M4</b>	660	6470	0.4	4
<b>M5</b>	1140	11180	0.7	7
<b>M6</b>	1750	17150	1.4	14
<b>M8</b>	2430	23810	2.4	24
<b>M10</b>	3480	34100	4.2	42
<b>M12</b>	6420	62920	7.6	76

## RIVSERT cotes américaines

Acier  
Fût Demi-Hexag. Ouvert  
Tête Autoaffleurante

**FREP-P**  
34027



d		T	k	Plage de serrage	L	L <sub>2</sub>	référence	Code	Boitage
mm	mm	mm	max	mm	mm	min ÷ max			
<b>M3</b>	4.8	5.5	0.4	<b>0.5 ÷ 1.5</b>	8.5	5.0 ÷ 5.5	FREPP0301505	<b>2684100</b>	500
<b>M4</b>	6.4	7.2	0.5	<b>0.5 ÷ 2.0</b>	10.0	6.5 ÷ 6.8	FREPP0402006	<b>0298800</b>	500
<b>M5</b>	7.3	8.10	0.5	<b>0.5 ÷ 2.5</b>	12.0	6.5 ÷ 6.7	FREPP0502507	<b>0298900</b>	500
<b>M6</b>	9.7	10.5	0.6	<b>0.5 ÷ 3.0</b>	15.0	9.4 ÷ 9.8	FREPP0603010	<b>0299000</b>	500
<b>M8</b>	10.7	11.5	0.6	<b>1.0 ÷ 3.5</b>	16.0	9.5 ÷ 10.0	FREPP0803511	<b>0299100</b>	250

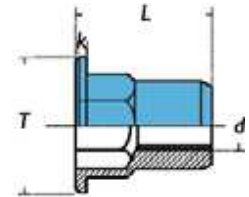
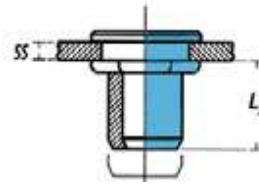



d	Kg	N	kgm	Nm
mm				
<b>M3</b>	480	4700	0.1	1
<b>M4</b>	660	6470	0.4	4
<b>M5</b>	1140	11180	0.7	7
<b>M6</b>	1750	17150	1.4	14
<b>M8</b>	2430	23810	2.4	24

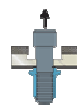
## RIVSERT

Inox A2  
Fût Demi-Hexag. Ouvert  
Tête Plate

ITEP/A2  
34007



d		T	k	Plage de serrage	L	L <sub>2</sub>	référence	Code	Boitage
mm	mm	mm	max	mm	mm	min ÷ max			
M4	6.0	9.0	0.8	0.5 ÷ 2.0	11.0	6.0 ÷ 6.5	ITEPA20402006	3214200	500
M5	7.0	10.0	1.0	0.5 ÷ 3.0	12.0	7.0 ÷ 8.0	ITEPA20503007	3215300	250
M6	9.0	13.0	1.3	0.5 ÷ 3.0	16.0	9.0 ÷ 10.0	ITEPA20603009	3215400	250
M8	11.0	16.0	1.5	1.0 ÷ 3.5	18.0	11.0 ÷ 12.0	ITEPA20803511	3215500	250
				3.0 ÷ 6.0	20.0		ITEPA20806011	3769100	250
M10	13.0	19.0	2.0	1.0 ÷ 3.5	23.0	15.0 ÷ 16.0	ITEPA21003513	3215600	250

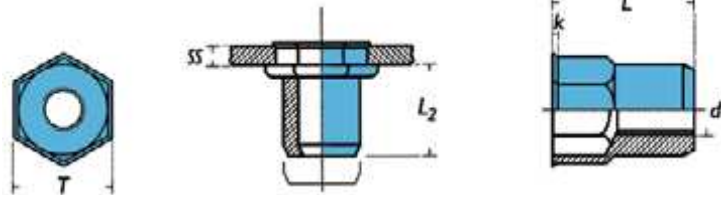



d	Kg	N	kgm	Nm
mm				
M4	540	5290	0.7	7
M5	1230	12050	1.4	14
M6	1660	16270	2.2	22
M8	3010	29500	3.2	32
M10	4100	40180	5.4	54

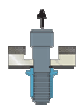
# RIVSERT

Inox A2  
Fût Demi-Hexag. Ouvert  
Tête Autoaffleurante

IREP/A2  
34127



d		T	k	Plage de serrage	L	L <sub>2</sub>	référence	Code	Boitage
mm	mm	mm	max	mm	mm	min ÷ max			
M3	5.0	5.6	0.4	0.5 ÷ 1.5	8.5	5.0 ÷ 5.5	IREPA20301505	3730900	1000
M4	6.0	7.0	0.5	0.5 ÷ 2.0 2.0 ÷ 3.0	12.0 13.0	6.5 ÷ 7.5	IREPA20402006 IREPA20403006	0383800 3214100	500 500
M5	7.0	8.0	0.5	0.5 ÷ 2.5 4.0 ÷ 6.0	13.0 15.0	7.0 ÷ 8.0	IREPA20502507 IREPA20506007	3215700 4353400	500 -
M6	9.0	10.0	0.6	0.5 ÷ 3.0 3.0 ÷ 5.0	16.0 16.5	9.0 ÷ 10.0	IREPA20603009 IREPA20605009	3215800 3341200	500 500
M8	11.0	12.0	0.6	0.8 ÷ 3.5 3.0 ÷ 6.0	17.5 19.5	9.5 ÷ 10.5	IREPA20803511 IREPA20806011	3215900 3314700	250 250
M10	13.0	14.5	0.7	1.0 ÷ 3.5 3.0 ÷ 6.0	21.0 23.0	11.0 ÷ 13.0	IREPA21003513 IREPA21006013	3216000 4035900	250 250
M12	16.0	18.0	0.8	1.0 ÷ 4.0	24.0	16.0 ÷ 18.0	IREPA21204016	4331600	100

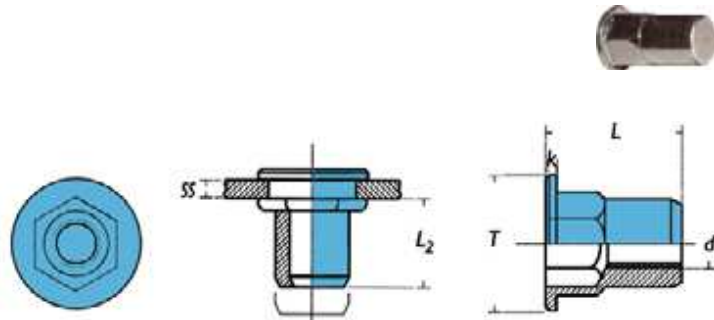


d	Kg	N	kgm	Nm
mm				
M3	390	3820	0.15	1.5
M4	540	5290	0.7	7
M5	1230	12050	1.4	14
M6	1660	16270	2.2	22
M8	3010	29500	3.2	32
M10	4100	40180	5.4	54
M12	6500	63700	7.0	70

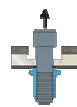
# RIVSERT

Inox A2  
Fût Demi-Hexag. Borgne  
Tête Plate

SITEP/A2  
34105



d		T	k	Plage de serrage	L	L <sub>2</sub>	référence	Code	Boitage
mm	mm	mm	max	mm	mm	min ÷ max			
M4	6.0	9.0	1.0	0.5 ÷ 2.0	16.0	10.5 ÷ 11.5	SITEPA20402006	3737400	500
M5	7.0	10.0	1.0	0.5 ÷ 3.0	18.0	12.5 ÷ 13.5	SITEPA20503007	4420800	250
M6	9.0	12.0	1.5	0.5 ÷ 3.0	23.0	15.5 ÷ 16.5	SITEPA20603009	4118800	250
M8	11.0	15.0	1.5	0.5 ÷ 3.0	25.0	17.8 ÷ 19.0	SITEPA20803011	4332000	250



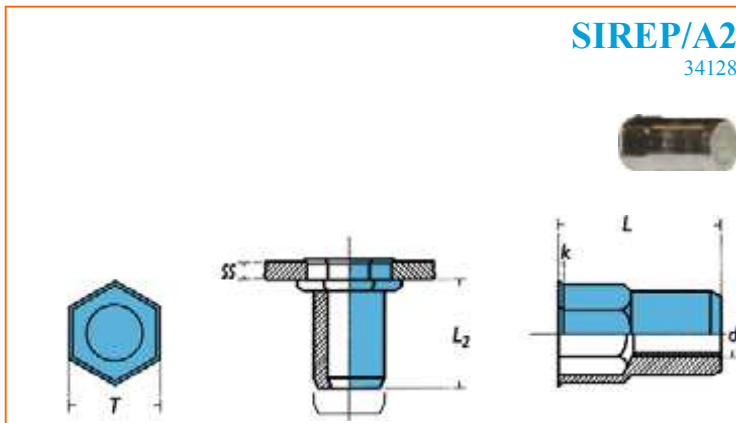
d	Kg	N	kgm	Nm
mm				
M4	540	5290	0.7	7
M5	1230	12050	1.4	14
M6	1660	16270	2.2	22
M8	3010	29500	3.2	32

# RIVSERT

Inox A2  
Fût Demi-Hexag. Borgne  
Tête Autoaffleurante

**SIREP/A2**

34128



d		T	k	Plage de serrage	L	L <sub>2</sub>	référence	Code	Boitage
mm	mm	mm	max	mm	mm	min ÷ max			
<b>M4</b>	6.0	7.0	0.5	<b>0.5 ÷ 2.0</b>	15.5	10.5 + 11.5	SIREPA20402006	<b>1664100</b>	500
<b>M5</b>	7.0	8.0	0.5	<b>0.5 ÷ 3.0</b>	18.0	12.5 + 13.5	SIREPA20503007	<b>3493100</b>	250
				<b>3.0 ÷ 5.0</b>	20.5		SIREPA20505007	<b>4323400</b>	250
<b>M6</b>	9.0	10.0	0.6	<b>0.5 ÷ 3.0</b>	21.5	15.0 + 16.0	SIREPA20603009	<b>3369000</b>	250
				<b>3.0 ÷ 5.0</b>	23.5		SIREPA20605009	<b>4179000</b>	250
<b>M8</b>	11.0	12.0	0.6	<b>0.5 ÷ 3.0</b>	24.0	17.5 + 18.5	SIREPA20803011	<b>3369100</b>	250

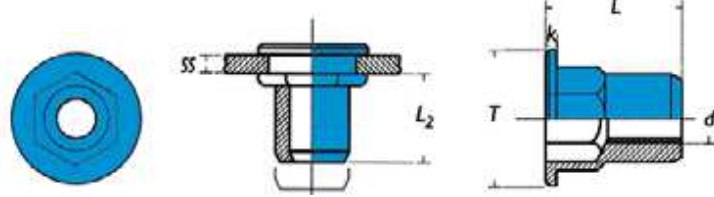
d	Kg	N	kgm	Nm
mm				
<b>M4</b>	540	5290	0.7	7
<b>M5</b>	1230	12050	1.4	14
<b>M6</b>	1660	16270	2.2	22
<b>M8</b>	3010	29500	3.2	32




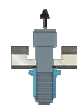
# RIVSERT

Inox A4  
Fût Demi-Hexag. Ouvert  
Tête Plate

ITEP/A4  
34104



d		T	k	Plage de serrage	L	L <sub>2</sub>	référence	Code	Boitage
mm	mm	mm	max	mm	mm	min ÷ max			
M5	7.0	10.0	1.0	0.5 ÷ 3.0	12.5	7.2 ÷ 7.7	ITEPA40503007	4125500	500
M6	9.0	12.0	1.5	0.5 ÷ 3.0	16.0	9.3 ÷ 9.7	ITEPA40603009	4422100	500
M8	11.0	15.0	1.5	0.5 ÷ 3.0	17.5	10.8 ÷ 11.5	ITEPA40803011	4422200	500

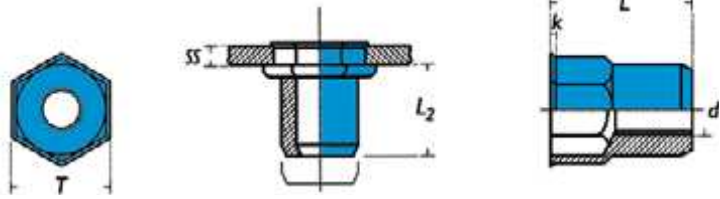


d	Kg	N	kgm	Nm
mm				
M5	1190	11670	1.4	14
M6	1840	18050	2.2	22
M8	2970	29130	3.2	32

## RIVSERT

Inox A4  
Fût Demi-Hexag. Ouvert  
Tête Autoaffleurante

IREP/A4  
34127



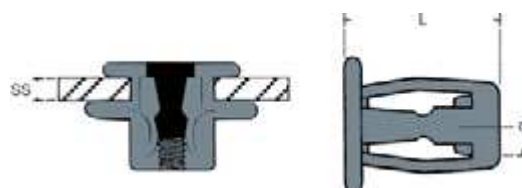
d		T	k	Plage de serrage	L	L <sub>2</sub>	référence	Code	Boitage
mm	mm	mm	max	mm	mm	min ÷ max			
M5	7.0	7.5	0.5	0.5 ÷ 3.0	12.0	6.8 ÷ 7.2	IREPA40500307	4421900	500
M6	9.0	9.5	0.5	0.5 ÷ 3.0	14.5	9.4 ÷ 9.6	IREPA40600309	4230600	500
M8	11.0	11.5	0.5	0.5 ÷ 3.0	16.0	9.5 ÷ 10.0	IREPA40800311	4422000	500


d	Kg	N	kgm	Nm
mm				
M5	1190	11670	1.4	14
M6	1840	18050	2.2	22
M8	2970	29130	3.2	32

# JACKRIV

Acier  
Tête Plate

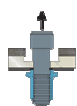
**JKF**  
34700



d mm	 mm	Plage de serrage mm	L mm	référence	Code	Boitage
<b>M4</b>	8.0	<b>0.4 ÷ 4.8</b>	17.0	JKF0404808	<b>29069ZB</b>	500
		<b>4.8 ÷ 9.5</b>	22.0	JKF0409508	<b>29070ZB</b>	500
<b>M5</b>	10.0	<b>0.4 ÷ 4.8</b>	18.0	JKF0504810	<b>29071ZB</b>	250
		<b>4.8 ÷ 9.5</b>	23.0	JKF0509510	<b>29072ZB</b>	250
<b>M6</b>	11.0	<b>0.4 ÷ 4.8</b>	18.0	JKF0604811	<b>29073ZB</b>	250
		<b>4.8 ÷ 9.5</b>	23.0	JKF0609511	<b>29074ZB</b>	250
<b>M8</b>	14.5	<b>5.0 ÷ 12.0</b>	25.2	JKF0812014	<b>32124ZB</b>	200



Outil pour la pose :  
RIV916



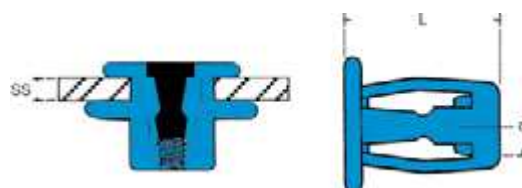
d mm	Kg	N	kgm	Nm
<b>M4</b>	25	245	1.0	10
<b>M5</b>	30	294	1.4	14
<b>M6</b>	35	343	1.4	14
<b>M8</b>	50	490	2.8	28


# JACKRIV

Inox A4  
Tête Plate

JKI/A4

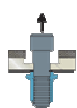
34700



d mm	 mm	Plage de serrage mm	L mm	référence	Code	Boitage
M5	10.0	0.4 ÷ 4.8	18.0	JKIA40504810	3271900	250
M6	11.0	4.8 ÷ 9.5	23.0	JKIA40609511	3036300	250
M8	15.0	5.0 ÷ 12.0	25.2	JKIA40812015	3221600	200



Outil pour la pose :  
RIV916

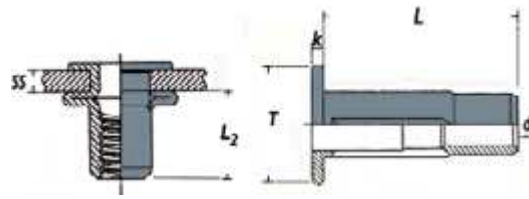



d mm	Kg	N	kgm	Nm
M5	60	588	1.6	16
M6	80	784	2.2	22
M8	100	980	2.8	28

# TUBRIV

Acier  
Fût Cylindrique Ouvert

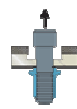
TBF  
34701



d		T	k	Plage de serrage	L	L <sub>2</sub>	référence	Code	Boitage
mm	mm	mm	max	mm	mm	min ÷ max			
M5	7.5	12.5	0.96	0.5 ÷ 4.45	21.0	9.9	TBF0504407	37430ZB	250
M6	9.0	15.5	1.50	0.5 ÷ 7.10	25.0	12.8	TBF0607109	17500ZB	200
M8	11.5	19.0	1.57	0.5 ÷ 7.10	28.0	14.5	TBF0807111	17498ZB	100



Outil pour la pose :  
RIV916

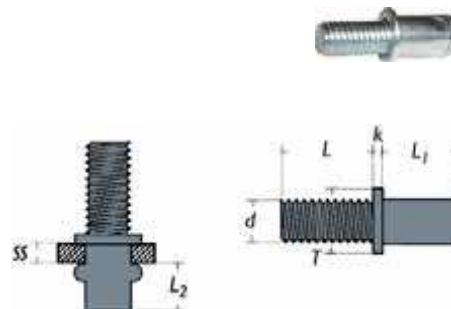



d	Kg	N	kgm	Nm
mm				
M5	1260	12600	0.64	6.4
M6	1920	19200	1.20	12.0
M8	2540	25400	2.10	21.0

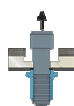
## RIVBOLT Goujon à sertir

Acier  
Fût cylindrique borgne  
Tête plate

**BFTC**  
36700



d		T	k	Plage de serrage	L	L <sub>2</sub>	référence	Code	Boitage	
mm	mm	mm	max	mm	mm	min ÷ max				
<b>M4</b>	10.0	5.5	8.0	0.5	0.5 ÷ 2.0	8.5	4.0	BFTC1002004	<b>2585900</b>	250
	10.0				2.0 ÷ 3.0	9.5		BFTC1003004	<b>2586000</b>	250
	15.0				0.5 ÷ 2.0	8.5		BFTC1502004	<b>2586100</b>	250
<b>M5</b>	10.0	6.6	9.0	0.8	2.0 ÷ 3.0	9.5		BFTC1503004	<b>2586200</b>	250
	10.0				0.5 ÷ 2.0	10.0	5.0	BFTC1002005	<b>2586300</b>	250
	10.0				2.0 ÷ 3.5	11.0		BFTC1003505	<b>2586400</b>	250
<b>M5</b>	15.0				0.5 ÷ 2.0	10.0		BFTC1502005	<b>1680000</b>	250
	15.0				2.0 ÷ 3.8	11.0		BFTC1503805	<b>2586500</b>	250
	15.0	7.8	10.0	1.0	0.5 ÷ 2.5	11.0	6.0	BFTC1002506	<b>2586600</b>	250
<b>M6</b>	10.0				2.5 ÷ 4.0	12.5		BFTC1004006	<b>2586700</b>	250
	15.0				0.5 ÷ 2.5	11.0		BFTC1502506	<b>1680100</b>	250
	15.0				2.5 ÷ 4.0	12.5		BFTC1504006	<b>2586800</b>	250
<b>M8</b>	15.0	9.9	12.0	1.0	1.0 ÷ 3.0	14.0	8.0	BFTC1503008	<b>2586900</b>	250
	15.0				3.0 ÷ 5.0	16.0		BFTC1505008	<b>2587000</b>	250
	20.0				1.0 ÷ 3.0	14.0		BFTC2003008	<b>2587100</b>	250
20.0				3.0 ÷ 5.0	16.0		BFTC2005008	<b>2587200</b>	250	

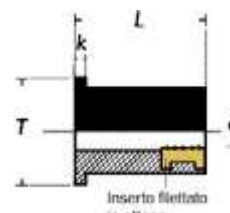


d	Kg	N	kgm	Nm
mm				
<b>M4</b>	408	4000	0.4	4
<b>M5</b>	714	7000	0.7	7
<b>M6</b>	1019	10000	1.0	10
<b>M8</b>	2854	28000	3.0	30

## PRENSERT Antivibrations

Néoprène  
Insert en Laiton  
Tête Plate

NPTC  
34800



d		T	k	Plage de serrage	L	référence	Code	Boitage
mm	mm	mm	max	mm	mm			
<b>M3</b>	8.0 ÷ 8.3	11.0	1.4	<b>0.4 ÷ 4.0</b>	12.6	NPTC0304008	<b>2394400</b>	250
<b>M4</b>	8.0 ÷ 8.3	11.0	1.4	<b>0.4 ÷ 4.0</b>	12.6	NPTC0404008	<b>2394500</b>	250
<b>M5</b>	9.7 ÷ 9.9	12.7	0.9	<b>0.4 ÷ 4.9</b>	14.1	NPTC0504910	<b>2394600</b>	250
	9.7 ÷ 9.9	14.0	0.9	<b>4.0 ÷ 11.6</b>	21.5	NPTC0511610	<b>2394700</b>	250
	9.7 ÷ 9.9	14.0	1.3	<b>7.9 ÷ 16.0</b>	26.1	NPTC0516010	<b>2394800</b>	250
<b>M6</b>	9.7 ÷ 9.9	14.0	1.3	<b>20.5 ÷ 30.0</b>	39.8	NPTC0530010	<b>2394900</b>	250
	12.8 ÷ 13.0	16.0	1.3	<b>0.4 ÷ 2.8</b>	16.0	NPTC0602813	<b>2395000</b>	250
	12.8 ÷ 13.0	19.1	4.75	<b>0.8 ÷ 4.7</b>	21.1	NPTC0604713	<b>2395200</b>	200
	12.8 ÷ 13.0	16.3	2.0	<b>6.4 ÷ 11.5</b>	26.7	NPTC0611513	<b>2395300</b>	200
<b>M8</b>	13.1 ÷ 13.3	16.0	1.3	<b>11.5 ÷ 23.0</b>	35.0	NPTC0623013	<b>2395400</b>	200
	16.0 ÷ 16.2	22.1	3.2	<b>0.4 ÷ 4.0</b>	18.3	NPTC0804016	<b>2395500</b>	100
	16.0 ÷ 16.2	22.1	5.72	<b>3.9 ÷ 9.5</b>	27.9	NPTC0809516	<b>2395600</b>	100
<b>M10</b>	18.1 ÷ 18.3	20.0	1.6	<b>15.0 ÷ 39.0</b>	50.0	NPTC0839018	<b>2395700</b>	100
	20.1 ÷ 20.3	22.5	1.3	<b>19.0 ÷ 40.0</b>	55.0	NPTC1040020	<b>2395800</b>	100
<b>M12</b>	24.1 ÷ 24.3	27.0	1.3	<b>38.0 ÷ 64.0</b>	80.0	NPTC1264024	<b>2395900</b>	50



d		Dureté	kgm	Nm
mm	mm			
<b>M3</b>	8.0 ÷ 8.3	60	2.5-5.0	0.25-0.50
<b>M4</b>	8.0 ÷ 8.3	70	2.5-4.0	0.25-0.40
<b>M5</b>	9.7 ÷ 9.9	60	3.5-5.0	0.35-0.50
	9.7 ÷ 9.9	60	3.0-8.9	0.30-0.89
	9.7 ÷ 9.9	60	3.0-6.9	0.30-0.69
<b>M6</b>	9.7 ÷ 9.9	60	5.9-9.9	0.59-0.99
	12.8 ÷ 13.0	60	5.9-9.9	0.59-0.99
	12.8 ÷ 13.0	70	7.9-9.9	0.79-0.99
	12.8 ÷ 13.0	70	7.9-9.9	0.79-0.99
<b>M8</b>	13.1 ÷ 13.3	70	7.9-9.9	0.79-0.99
	16.0 ÷ 16.2	60	9.9-14.8	0.99-1.48
	16.0 ÷ 16.2	60	9.9-15.7	0.99-1.57
<b>M10</b>	18.1 ÷ 18.3	60	9.9-15.7	0.99-1.57
	20.1 ÷ 20.3	60	44.0-54.0	4.40-5.40
<b>M12</b>	24.1 ÷ 24.3	60	59.0-69.0	5.90-6.90