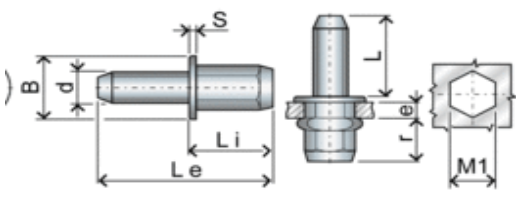


GOUJON FILETE ACIER  
HEXAGONAL TETE PLATE



M	L FILE TE	E	L1 CORPS	M1 Ø trou 0+01	B	D	S
M5	15.0	0,5-2,0	11.0	7.0	10.0	6.9	1.0
M6	15.0	0,5-3,0	14.0	9.0	13.0	8.9	1.5
M8	20.0	0,5-3,0	15.5	11.0	16.0	10.9	1.5