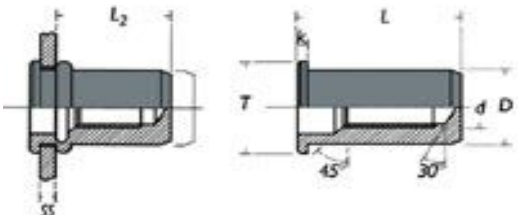


INSERT FILETE BORGNE INOX TETE PLATE											
											
Ref:	M	SS	Ø trou 0+01	L	T	D	K	L2	Traction DaN	Cisaillement DaN	Couple mN
ISBIPM04C ISBIPM04L	M4	$\frac{0,5-2,0}{1,4-4,0}$	6.0	$\frac{15.0}{17.0}$	9.0	5.9	1.0	10.0	380	150	5
ISBIPM05C ISBIPM05L	M5	$\frac{0,5-2,5}{2,5-4,5}$	7.0	$\frac{18.0}{20.0}$	10.0	6.9	1.0	14.0	1150	200	9
ISBIPM06C ISBIPM06L	M6	$\frac{0,5-3,0}{2,5-5,5}$	9.0	$\frac{23.0}{26.0}$	12.0	8.9	1.5	17.0	1650	300	15
ISBIPM08C ISBIPM08L	M8	$\frac{0,5-3,5}{3,0-6,0}$	11.0	$\frac{25.0}{27.5}$	14.0	10.9	1.5	19.0	2500	440	26
ISBIPM10C	M10	1,0-4,0	13	30	16	11.9	2.0	25	3200	500	50